



**Navigator™ Series Balances
Instruction Manual**

**Balanzas serie Navigator™
Manual de instrucciones**

**Balances de la série Navigator™
Manuel d'instructions**

**Bedienungsanleitung
für die Waagen der Navigator™-Serie**

**Bilance Serie Navigator™
Manuale per l'utente**

1. INTRODUCTION

This manual contains installation, operation and maintenance instructions for the Navigator™ Series. Please read the manual completely before using the balance.

1.1 Definition of Signal Warnings and Symbols

WARNING For a hazardous situation with medium risk, possibly resulting in injuries or death if not avoided.

CAUTION For a hazardous situation with low risk, resulting in damage to the device or the property or in loss of data, or injuries if not avoided.

Attention Note For important information about the product
For useful information about the product



General hazard



Electrical shock hazard

1.2 Safety Precautions



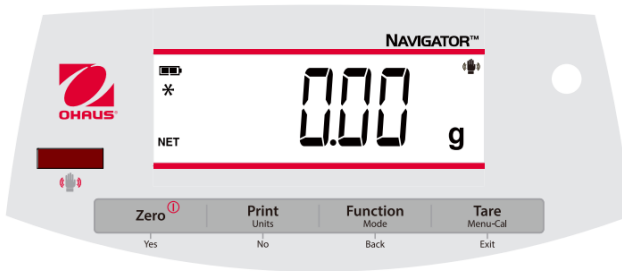
CAUTION: Read all safety warnings before installing, making connections, or servicing this equipment. Failure to comply with these warnings could result in personal injury and/or property damage. Retain all instructions for future reference.

- Verify that the AC adapter's input voltage range and plug type are compatible with the local AC mains power supply.
- Position the instrument such that the AC adapter can be easily disconnected from the wall socket.
- Position the power cord so that it does not pose a potential obstacle or tripping hazard.
- Operate the equipment only under ambient conditions specified in these instructions.
- The equipment is for indoor use only.
- Do not operate the equipment in hazardous or explosive environments.
- Only use the equipment in dry locations.
- Only use approved accessories and peripherals.
- Disconnect the equipment from the power supply when cleaning.
- Service should only be performed by authorized personnel.

1.3 Intended Use

Use the instrument exclusively for weighing as described in the operating instructions. Any other type of use and operation beyond the limits of technical specifications without written consent from OHAUS, is considered as not intended. This instrument complies with current industry standards and the recognized safety regulations; however, it can constitute a hazard in use. If the instrument is not used according to these operating instructions, the intended protection of the instrument may be compromised and OHAUS assumes no liability.

1.4 Controls



Button	Functions
Zero ①	Short Press (when on): Sets display to zero (when off): Turns balance on Long Press (when on): Turns the balance off
Yes	Short Press (in Menu): Selects/accepts displayed setting
Print Units No	Short Press: See Interface Manual for operation description. Long Press: Toggles through active units Short Press (in Menu): Toggles through available settings
Function Mode Back	Short Press: Selects function setting Long Press: Selects active Mode Short Press (in Menu): returns to previous settings
Tare Menu-Cal Exit	Short Press: Enter / clear a Tare value Long Press: Enters User Menu Short Press (in Menu): Quickly exit User Menu
IR Sensor *	IR Sensors can be programmed to act as a “touchless” button. See the User Menu section 4.3 for the available settings.

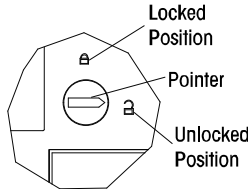
The IR Sensors can be activated by a hand or other object that is placed about 12mm (½ inch) above the sensor location. The sensor activation distance will vary based on the reflective nature of the object. If unwanted activations occur due to unique situations the sensor can be turned off.

*Availability of IR Sensor is dependent on model and region.

2. INSTALLATION

2.1 Transportation Lock

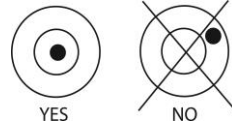
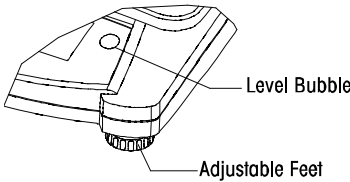
The Transportation Lock is located under the balance. Rotate the pointer to the unlocked position.



2.2 Location

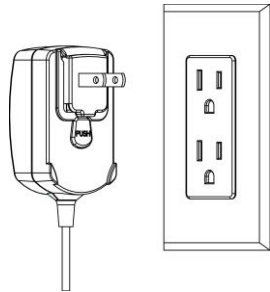
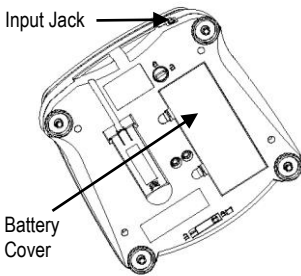
Use the balance on a firm, steady surface. Avoid locations with excessive air current, vibrations, heat sources, or rapid temperature changes.

Adjust the leveling feet so the bubble is centered in the circle.



2.3 Power

The AC Adapter is used to power the balance when battery power is not needed.



Connect the AC Adapter plug to the input jack.

Connect AC Adapter to the proper AC supply.

Battery installation (without optional internal battery):

Remove battery cover and install 4 batteries using the polarity indications as shown in the compartment.

Optional rechargeable battery*

Balances with the optional rechargeable battery will need to be charged for 12 hours before the balance can be operated on battery power for the first time. The battery is protected from overcharging so the balance can remain connected to the AC power. When the battery is fully charged the battery indicator on the display will stop blinking.

To remove the rechargeable battery option and install C cell batteries, reference the Recharging Battery Option instruction manual for step by step instructions as well as disposal instructions.



CAUTION: Risk of explosion can occur if the rechargeable battery is replaced with the wrong type or if it is not properly connected.

Note:

After power on, it is recommended to warm up the balance for at least 5 minutes before using it.

*Availability of IR Sensor is dependent on model and region.

2.4 Initial Calibration

When the balance is first installed it should be calibrated to ensure accurate results.

Press and hold **Menu-Cal** until [**MENU**] (Menu) is displayed. When the button is released, the display will display [**C.A.L.**]. Press **Yes** to accept, [**SPAN**] will then be shown. Press **Yes** again to begin the span calibration. [**- - - -**] blinks while zero reading is stored. Next, the display shows the calibration weight value. Place the specified calibration mass on the pan. [**- - C - -**] blinks while the reading is stored. The balance returns to the previous application mode and is ready for use.

3. OPERATION

All modes except for weighing must be activated in the User Menu before they are available, see Section 4.

3.1 Weigh Mode

1. Press and hold **Mode** until [**WEIGH**] (Weigh) is displayed.
2. If required, place an empty container on the pan and press **Tare**.
3. Add material to the container. The display shows the weight of the material.

3.2 Parts Counting Mode

This mode counts large numbers of items based on the weight of a reference count.

1. Place an empty container on the pan and press **Tare**.
2. Press and hold **Mode** until [**Count**] (Count) is displayed. [**CLr.APW**] (Clear Average Piece Weight) will then display.
3. Press **No** to use the stored APW. Proceed to step 6.
4. Press **Yes** to establish an APW. The balance will then display the stored sample size, i.e. [**Part ID**]. Press **No** or **Back** to toggle the choices (5, 10, 20, 50 or 100).
5. Put the indicated number of pieces on the pan then press **Yes** to calculate the APW. The display shows the piece count. Note: Press **Function** to view the current APW.
6. Add additional pieces until the desired count is reached.
7. To clear the stored APW press and hold **Mode** until [**Count**] is displayed. Press **Yes** when [**CLr.APW**] is displayed.

3.3 Percent Mode

This mode measures the weight of a sample as a percentage of a reference weight.

1. Place an empty container on the pan and press **Tare**.
2. Press and hold **Mode** until [**Percent**] is displayed. [**CLr.rEF**] (clear reference) will then display.
3. Press **No** to use the stored reference weight and proceed to step 6.
4. Press **Yes** to establish a new reference. Balance will now display [**Part.rEF**].
5. Add the desired reference material to the container. Press **Yes** to store the reference weight. The display shows 100%.
Note: Press **Function** to view the current reference weight.
6. Replace the reference material with the sample material. The display shows the percentage of the sample compared to reference weight.
7. To clear the stored reference press and hold **Mode** until [**Percent**] is displayed. Press **Yes** when [**CLr.rEF**] is displayed.

3.4 Checkweigh Mode

This mode sets low and high weight limits for portion control processes.

1. Press and hold **Mode** until [**CHECK**] (Check) is displayed. [**CLr.rEF**] (clear references) will then display.
2. Press **No** to use the stored reference weight limits and proceed to step 5.
Note: Press **Function** to view the low and high reference weight limits.
3. Press **Yes** to establish new reference values. The balance will then display [**SEt. L0**]. Press **Yes** to view the “Low” limit value. Press **Yes** to accept or **No** to edit the “Low” limit value. The stored value then displays with the first digit highlighted [**000.000** kg]. Repeatedly press **No** until the desired number appears. Press **Yes** to accept and highlight the next digit. Repeat until all the digits are correct. Press **Yes** to accept the “low” limit value, [**SEt. H 0**] will be displayed.
4. Repeat the same procedure to accept or edit the “high” value.
5. Place sample material on the Pan. The “Accept” indicator will now show that the sample weight is within the acceptable range.
6. To clear the stored reference values press and hold **Mode** until [**CHECK**] is displayed. Press **Yes** when [**CLr.rEF**] is displayed.

4. SETTINGS

The User Menu allows the customizing of balance settings.

Note: Additional Sub-Menus may be available if Interface Options are installed. See Interface User Manual for the additional setting information.

4.1 Menu Navigation

User Menu:

<i>Sub-Menus:</i>	<i>.C.a.l.</i>	<i>.S.e.t.u.p.*</i>	<i>.M.o.d.e.</i>	<i>.U.n.i.t.*</i>	<i>.E.n.d.</i>
<i>Menu Items:</i>	<i>Span</i>	<i>b.light</i>	<i>Count</i>	<i>g</i>	
	<i>Lin</i>	<i>A-OFF</i>	<i>Percnt</i>	<i>kg</i>	
		<i>IR**</i>	<i>Check</i>	<i>...</i>	
		<i>Filter</i>			
		<i>AZT</i>			
		<i>Stab</i>			
	<i>Stab.C</i>				
	<i>End</i>	<i>End</i>	<i>End</i>	<i>End</i>	

* Note: Available settings vary by models and regions

**Availability of IR Sensor is dependent on model and region.

Press and hold Menu until [**MENU**] (Menu) is displayed. When released the first sub-menu [**.C.A.L.**] (Cal) will be shown.

Press **Yes** to enter the displayed sub-menu or press **No** to advance to the next.

Selecting a sub-menu will display the first menu item. Press **Yes** to view the menu item setting or press **No** to move to the next menu item. When viewing the setting, press **Yes** to accept the setting, or press **No** to change the setting. When [**End**] is displayed, press **Yes** to return to the sub-menu selections or **No** to return to the first item in the current menu.

4.2 Cal Sub-Menu

- Span [**SPAN**] (yes, no) - Initiates a span calibration procedure (zero and span). A span calibration is important when initially setting up the balance.
- Lin [**LIN**] (yes, no) - Initiates a linearity calibration procedure (zero, mid-point and span).

4.3 Setup Sub-Menu

- Back Light [**b.L. SHt**] (on, off, **Auto**) - When Back light is set to "on" the balance will always "on". When Back light is set to "Auto" the balance will turn on when a button is pressed or the display weight changes.
- Auto Off [**A-OFF**] (on, **off**) - When Auto Off is set to "on" the balance will turn off automatically after 5 minutes of inactivity. Auto off is used to save battery power.
- IR Sensor [**Ir.Func**] (Off, Tare, Function, Print, Zero, **Display**) - These settings determine the role of the IR Sensor. "Zero", "Print", "Function" or "Tare" allows the IR sensor to act the same as the related button. "Display" activates the display if Display-Auto is set. "Off" disables the sensor.*
- Filter [**F.LtEr**] (L1, L2, L3, L4) – set the amount of signal filtering

	L1----->L4
Stability	Less-----> Greater
Stabilization time	Faster----->Slower

- Auto Zero Tracking [**AZt**] (OFF, 0.5d, 1d, 3d, 5d, 8d, 10d) – Set the automatic zero tracking functionality. The display will maintain zero until a change of "0.5d, 1d, 3d, 5d, 8d, 10d" divisions per second has been exceeded.
- Stable [**StAb**] (0.5d, 1d, 2d, 5d) – Set the amount of the reading can vary while the stability symbol remains on.
- Stable Compensation [**StAb.C**] (on, off) - Set the automatic stable tracking functionality. Set it "off" for dosing or filling application.

Note: Bold always represents factory default Value

*Availability of IR Sensor is dependent on model and region.

4.4 Mode Menu

This sub-menu activates modes so they will be available for use with the Mode button. Weigh mode is always active.

- Parts Count [**Count**] (on, off) - Set on for the mode to be active.
- Percent [**PERcent**] (on, off) - Set on for the mode to be active.
- Check Weigh [**CHECK**] (on, off) - Set on for the mode to be active.

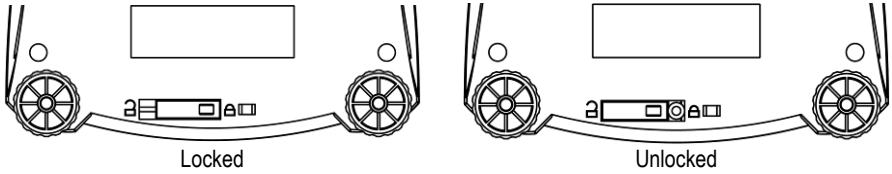
4.5 Units Menu

This sub-menu activates units so they will be accessible with the **Units** button. The units in the menu must be turned "on" to be active.

Note: Available units and modes vary by model and local regulations.

4.6 Sealing access to balance settings

You can use the Menu Lock switch to limit changes to the user menu. The switch in type approved models may set some balance settings as required by the approval agency. The switch may be secured using paper seals, wire seals or plastic ties.



5. MAINTENANCE

5.1 Cleaning



WARNING: Electric Shock Hazard. Disconnect the equipment from the power supply before cleaning.



Make sure that no liquid enters the interior of the instrument.

Attention: Do not use solvents, harsh chemicals, ammonia or abrasive cleaning agents.

The exterior surfaces of the instrument may be cleaned with a cloth dampened with water and a mild detergent.

5.2 Troubleshooting

The following table lists common problems and possible causes and remedies.

If the problem persists, contact OHAUS or your authorized dealer.

Symptom	Possible Cause	Remedy
Cannot turn on	No power to balance	Verify connections and voltage
Poor accuracy	Improper calibration Unstable environment	Perform calibration Move balance to suitable location
Cannot calibrate	Unstable environment Incorrect calibration weight	Move the balance to suitable location Use correct calibration weight
Cannot access mode	Mode not enabled	Enter menu and enable mode
Cannot access unit	Unit not enabled	Enter menu and enable unit
Lo rEF	Reference weight is too low	Increase reference weight.
rEF Err	Parts counting— sample weight <1d.	Shows error - exits mode or goes to [CLr.RPU] .
Err 3.0	Incorrect calibration weight	See section 2.5 for correct weights
Err 4.4	RS232 buffer is full	Set Handshake on, see Interface User Manual.
Err 8.1	Power on zero range exceeded	Clear pan, check Shipping Lock setting
Err 8.2	Power on zero under range	Install pan, check Shipping Lock setting
Err 8.3	Overload (>cap+9e)	Load exceeds balance maximum capacity
Err 8.4	Under load	Reading below min. range - Re-install pan.
Err 8.6	Displayed value >999999	Result exceeds display capability.
Err 9	Internal data error.	Contact an authorized service agent
Err 13	Fail to write EEPROM.	Contact an authorized service agent
Err 53	Invalid checksum data	Contact an authorized service agent

5.3 Service Information

If the troubleshooting section does not resolve or describe your problem, contact your authorized OHAUS service agent. For service assistance or technical support in the United States call toll-free 1-800-526-0659 between 8:00 AM and 5:00 PM EST. An OHAUS product service specialist will be available to provide assistance. Outside the USA, please visit our web site, www.ohaus.com to locate the OHAUS office nearest you.

6. TECHNICAL DATA

Equipment Ratings:

- Pollution degree 2;
- Installation category II;
- Altitude 2000m;
- Humidity: Maximum 80% for temperatures up to 31°C decreasing linearly to 50% at 40°C; non-condensing;
- Electrical supply: Rated 12VDC 500mA for use with a Certified/Listed power adapter or battery operated;
- Indoor use only;
- Temperature range: 10°C to 40°C, Approved models (M) 0°C to 40°C
- The mains supply voltage fluctuations are not to exceed ± 10 % of the nominal supply voltage.

6.1 Specifications
Non-approved Models

Model	NV123	NV223	NV323	NV222	NV422	NV622	NV1202
Capacity (g)	120	220	320	220	420	620	1200
Readability (g)	0.001	0.001	0.001	0.01	0.01	0.01	0.01
Repeatability (Std. Dev.)	2d	2d	2d	1d	2d	2d	2d
Linearity	±3d	±5d	±5d	±2d	±2d	±2d	±3d
Span Calibration Mass (Not Included)	100	200	300	200	200	300	1000
Linearity Calibration Mass	50, 100 g	100, 200 g	150, 300 g	100, 200 g	200, 400 g	300, 600 g	500 g, 1 kg
Stabilization Time (s)	2.5			1	1.5	1.5	2
Construction	ABS housing & stainless steel pan						
Draftshield	Yes			No			
Calibration	User-selectable external span or linearity calibration/Digital with external weight						
Tare Range	Full capacity by subtraction						
Weighing Units**	g, kg, N, oz, ozt, dwt, lb, lb:oz, ct, grain, tael, (3), Tical, Tola						
Application Modes	Weighing, Parts Counting, Percent Weighing, Checkweighing						
Power Requirement	AC adapter (included) or 4 C batteries (not included)						
Typical Battery Life	200 hours			270 hours			200 hours
Specified Temperature Range	10°C (50°F) to 40°C (104°F) at 10% to 85% relative humidity, non-condensing						
Storage Conditions	-20°C (-4°F) to 55°C (131°F) at 10% to 90% relative humidity, non-condensing						
Communication	RS232, USB, or Ethernet (available as accessories)						
Display Type	Liquid Crystal Display (LCD) with backlight						
Display Size	0.78 in / 20 mm digits						
Pan Size (W x D)	Ø3.7 in / Ø93 mm			Ø5.7 in / Ø145 mm			7.5 x 5.7 in / 190 x 144 mm
Balance Dimensions (W x D x H)	204 x 230 x 107 mm with draft shield 204 x 230 x 74 mm without draft shield			8 x 9.1 x 2.8 in / 204 x 230 x 70 mm			
Shipping Dimensions (W x D x H)	15.2 x 13.2 x 6.7 in / 385 x 335 x 170 mm			11.8 x 9.8 x 5.3 in / 300 x 250 x 134 mm			
Net Weight	2.2 lb / 1.0 kg			2.2 lb / 1.0 kg			
Shipping Weight	3.3 lb / 1.5 kg			3.3 lb / 1.5 kg			

Model	NV2202	NV3202	NV221	NV621	NV1201	NV2201	NVT2201
Capacity (g)	2200	3200	220	620	1200	2200	2200
Readability (g)	0.01	0.01	0.1	0.1	0.1	0.1	0.1
Repeatability (Std. Dev.)	2d	2d	1d	1d	1d	1d	1d
Linearity	±5d	±5d	±2d	±2d	±2d	±2d	±2d
Span Calibration Mass (Not Included)	2000	3000	200	300	500	1000	1000
Linearity Calibration Mass	1 kg, 2 kg	1.5 kg, 3 kg	100, 200 g	300, 600 g	500 g, 1 kg	1 kg, 2 kg	1 kg, 2 kg
Stabilization Time (s)	2	2	1	1	1	1	1
Construction	ABS housing & stainless steel pan						
Draftshield	No						
Calibration	User-selectable external span or linearity calibration/Digital with external weight						
Tare Range	Full capacity by subtraction						
Weighing Units**	g, kg, N, oz, ozt, dwt, lb, lb:oz, ct, grain, taels (3), Tical, Tola						
Application Modes	Weighing, Parts Counting, Percent Weighing, Checkweighing						
Power Requirement	AC adapter (included) or 4 C batteries (not included)						
Typical Battery Life	200 hours			270 hours			
Specified Temperature Range	10°C (50°F) to 40°C (104°F) at 10% to 85% relative humidity, non-condensing						
Storage Conditions	-20°C (-4°F) to 55°C (131°F) at 10% to 90% relative humidity, non-condensing						
Communication	RS232, USB, or Ethernet (available as accessories)						
Display Type	Liquid Crystal Display (LCD) with backlight						
Display Size	0.78 in / 20 mm digits						
Pan Size (W x D)	7.5 x 5.7 in / 190 x 144 mm						9.1 x 6.9 in / 230 x 174 mm
Balance Dimensions (W x D x H)	8 x 9.1 x 2.8 in / 204 x 230 x 70 mm						9.5 x 9.8 x 2.9 in / 240 x 250 x 74 mm
Shipping Dimensions (W x D x H)	11.8 x 9.8 x 5.3 in / 300 x 250 x 134 mm						15.2 x 13.2 x 6.7 in / 385 x 335 x 170 mm
Net Weight	2.2 lb / 1.0 kg						3.3 lb / 1.5 kg
Shipping Weight	3.3 lb / 1.5 kg						5.1 lb / 2.3 kg

Model	NVT4201	NVT6201	NVT10201	NVT2200	NVT6200	NVT12000	NVT22000
Capacity (g)	4200	6200	10200	2200	6200	12000	22000
Readability (g)	0.1	0.1	0.1	1	1	1	1
Repeatability (Std. Dev.)	2d	2d	2d	2d	1d	1d	1d
Linearity	±2d	±2d	±2d	±2d	±2d	±2d	±2d
Span Calibration Mass (Not Included)	2000	5000	5000	1000	5000	5000	10000
Linearity Calibration Mass	2 kg, 4 kg	3 kg, 6 kg	5 kg, 10 kg	1 kg, 2 kg	3 kg, 6 kg	5 kg, 10 kg	10 kg, 20 kg
Stabilization Time (s)	1.5	1.5	1.5	1	1	1	1
Construction	ABS housing & stainless steel pan						
Draftshield	No						
Calibration	User-selectable external span or linearity calibration/Digital with external weight						
Tare Range	Full capacity by subtraction						
Weighing Units**	g, kg, N, oz, ozt, dwt, lb, lb:oz, ct, grain, tael, Tical, Tola						
Application Modes	Weighing, Parts Counting, Percent Weighing, Checkweighing						
Power Requirement	AC adapter (included) or 4 C batteries (not included)						
Typical Battery Life	270 hours	200 hours	270 hours				
Specified Temperature Range	10°C (50°F) to 40°C (104°F) at 10% to 85% relative humidity, non-condensing						
Storage Conditions	-20°C (-4°F) to 55°C (131°F) at 10% to 90% relative humidity, non-condensing						
Communication	RS232, USB, or Ethernet (available as accessories)						
Display Type	Liquid Crystal Display (LCD) with backlight						
Display Size	0.78 in / 20 mm digits						
Pan Size (W x D)	9.1 x 6.9 in / 230 x 174 mm						
Balance Dimensions (W x D x H)	9.5 x 9.8 x 2.9 in / 240 x 250 x 74 mm						
Shipping Dimensions (W x D x H)	15.2 x 13.2 x 6.7 in / 385 x 335 x 170 mm						
Net Weight	3.3 lb / 1.5 kg						
Shipping Weight	5.1 lb / 2.3 kg						

** Availability depends on model and region.

Capacity x Readability

Model	NV123	NV223	NV323	NV222	NV422	NV622	NV1202
Gram (g)	120 x 0.001	220 x 0.001	320 x 0.001	220 x 0.01	420 x 0.01	620 x 0.01	1200 x 0.01
Kilogram (kg)	/	/	/	/	/	/	1.2 x 0.00001
Newton (N)	1.17679 x 0.00001	2.15744 x 0.00001	3.1381 x 0.00001	2.1574 x 0.0001	4.1188 x 0.0001	6.0801 x 0.0001	11.7679 x 0.0001
Ounce (oz)	4.23285 x 0.00005	7.76025 x 0.00005	9.99995 x 0.00005 11.2876 x 0.0001	7.7600 x 0.0005	14.8150 x 0.0005	21.8700 x 0.0005	42.3285 x 0.0005
Ounce Troy (ozt)	3.85805 x 0.00005	7.07315 x 0.00005	10.28820 x 0.00005	7.0730 x 0.0005	13.5030 x 0.0005	19.9335 x 0.0005	38.5805 x 0.0005
Pennyweight (dwt)	77.162 x 0.001	141.463 x 0.001	205.765 x 0.001	141.46 x 0.01	270.07 x 0.01	398.67 x 0.01	771.62 x 0.01
Pound (lb)	/	/	/	/	/	1.36690 x 0.00005	2.64550 x 0.00005
Pound:Ounce (lb:oz)	/	/	/	/	/	1lb:5.8700oz x 0.0005 oz	2lb:10.328oz x 0.001oz
Carat (ct)	600.000 x 0.005	999.995/1100.00 x 0.005/0.01	999.995/1600 x 0.005/0.01	1100 x 0.05	2100 x 0.05	3100 x 0.05	6000 x 0.05
Grain (grn)	1851.78 x 0.02	3395.12 x 0.02	4938.26 x 0.02	3395.0 x 0.2	6481.6 x 0.2	9568.0 x 0.2	18518.8 x 0.2

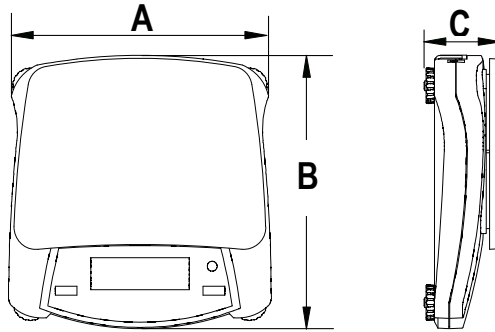
Model	NV2202	NV3202	NV221	NV621	NV1201	NV2201	NVT2201
Gram (g)	2200 x 0.01	3200 x 0.01	220 x 0.1	620 x 0.1	1200 x 0.1	2200 x 0.1	2200 x 0.1
Kilogram (kg)	2.2 x 0.00001	3.2 x 0.00001	/	/	1.2 x 0.00001	2.2 x 0.00001	2.2 x 0.00001
Newton (N)	21.5744 x 0.0001	31.381 x 0.0001	2.157 x 0.001	6.080 x 0.001	11.768 x 0.001	21.574 x 0.001	21.574 x 0.001
Ounce (oz)	77.6025 x 0.0005	99.9995/112.876 x 0.005/0.01	7.760 x 0.005	21.870 x 0.005	42.330 x 0.005	77.600 x 0.005	77.600 x 0.005
Ounce Troy (ozt)	70.7315 x 0.0005	99.9995/102.882 x 0.005/0.01	7.070 x 0.005	19.930 x 0.005	38.580 x 0.005	70.730 x 0.005	70.730 x 0.005
Pennyweight (dwt)	1414.63 x 0.01	2057.65 x 0.01	141.5 x 0.1	398.7 x 0.1	771.6 x 0.1	1414.6 x 0.1	1414.6 x 0.1
Pound (lb)	4.85015 x 0.00005	7.05475 x 0.00005	/	1.3670 x 0.0005	2.6455 x 0.0005	4.8500 x 0.0005	4.8500 x 0.0005
Pound:Ounce (lb:oz)	4lb:13.604oz x 0.001oz	7lb:0.878oz x 0.001oz	/	1lb:5.870oz x 0.005oz	2lb:10.330oz x 0.005oz	4lb:13.600oz x 0.005oz	4lb:13.600oz x 0.005oz
Carat (ct)	9999.95/11000.0 x 0.05/0.1	9999.95/16000.0 x 0.05/0.1	1100 x 0.5	3100 x 0.5	6000 x 0.5	11000 x 0.5	11000 x 0.5
Grain (grn)	33951.2 x 0.2	49383.6 x 0.2	3400 x 2	9570 x 2	18520 x 2	33950 x 2	33950 x 2

Model	NVT4201	NVT6201	NVT10201	NVT2200	NVT6200	NVT12000	NVT22000
Gram (g)	4200 x 0.1	6200 x 0.1	10000 x 0.1	2200 x 1	6200 x 1	12000 x 1	22000 x 1
Kilogram (kg)	4.2 x 0.0001	6.2 x 0.0001	10 x 0.0001	2.2 x 0.001	6.2 x 0.001	12 x 0.001	22 x 0.001
Newton (N)	41.188 x 0.001	60.801 x 0.001	98.066 x 0.001	21.57 x 0.01	60.8 x 0.01	117.68 x 0.01	215.74 x 0.01
Ounce (oz)	148.15 x 0.005	218.700 x 0.005	352.735 x 0.005	77.6 x 0.05	218.7 x 0.05	423.3 x 0.05	776.05 x 0.05
Ounce Troy (ozt)	135.035 x 0.005	199.335 x 0.005	321.505 x 0.005	70.75 x 0.05	199.35 x 0.05	385.8 x 0.05	707.3 x 0.05
Pennyweight (dwt)	2700.7 x 0.1	3986.7 x 0.1	6430.1 x 0.1	1410 x 1	3990 x 1	7720 x 1	14150 x 1
Pound (lb)	9.2595 x 0.0005	13.6685 x 0.0005	22.0460 x 0.0005	4.85 x 0.005	13.67 x 0.005	26.455 x 0.005	48.5 x 0.005
Pound:Ounce (lb:oz)	9lb:4.15oz x 0.005oz	13lb:10.700oz x 0.005oz	9lb:15.995oz / 22lb:00.74oz x 0.005oz / 0.01oz	4lb:13.6oz x 0.05oz	13lb:10.7oz x 0.05oz	26lb:7.3oz x 0.05oz	48lb:8.05oz x 0.05oz
Carat (ct)	21000 x 0.5	31000 x 0.5	50000.0 x 0.5	11000 x 5	31000 x 5	60000 x 5	110000 x 5
Grain (gm)	64820 x 2	95680 x 2	154320 x 2	33960.19 x 20	95680 x 20	185180 x 20	339520 x 20

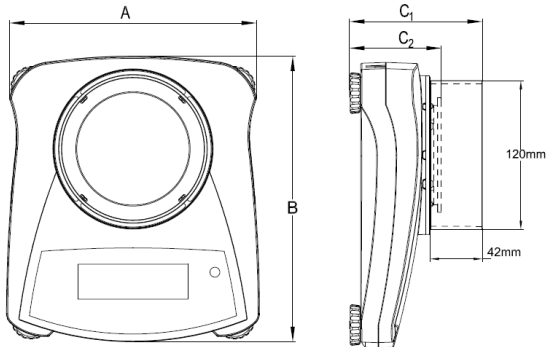
Approved Models

Model	NVT1601M	NVT3200M	NVT6400M	NVT16000M
Capacity (g)	1600	3200	6400	16000
Readability (g)	0.5	1	2	5
Verification Interval e (g)	0.5	1	2	5
Span Calibration Mass (Not Included)	1 kg	2 kg	5 kg	10 kg
Linearity Calibration Mass	1 kg, 1.5 kg	2 kg, 3 kg	3 kg, 6 kg	10 kg, 15 kg
Approval Class	III			
Stabilization Time (s)	1 s			
Construction	ABS housing & stainless steel pan			
Calibration	User-selectable external span or linearity calibration/Digital with external weight			
Tare Range	Full capacity by subtraction			
Weighing Units	g, kg, ct			
Application Modes	Weighing, Percent Weighing, Parts Counting, Check Weighing			
Keypad	4 mechanical keys, plus 1 touchless sensor			
Power Requirement	AC adapter (included) or 4 C batteries (not included)			
Typical Battery Life	270 hours			
Specified Temperature Range	0°C (32°F) to 40°C (104°F) at 10% to 85% relative humidity, non-condensing			
Storage Conditions	-20°C (-4°F) to 55°C (131°F) at 10% to 90% relative humidity, non-condensing			
Communication	RS232, USB, or Ethernet (available as accessories)			
Display Type	Liquid Crystal Display (LCD) with backlight			
Display Size	20 mm digits			
Pan Size (W x D)	230 x 174 mm			
Balance Dimensions (W x D x H)	240 x 250 x 74 mm			
Shipping Dimensions (W x D x H)	385 x 335 x 170 mm			
Net Weight	1.5 kg			
Shipping Weight	2.3 kg			

6.2 Drawings






	A	B	C
NV	204 mm / 8 in.	230 mm / 9 in.	70 mm / 2.8 in.
NVT	240 mm / 9.5 in.	250 mm / 9.8 in.	74 mm / 2.9 in.



	A	B	C1	C2
NV with draft shield	204 mm / 8 in.	230 mm / 9 in.	107 mm / 4.2 in.	74 mm / 2.9 in.

6.3 Compliance

Compliance to the following standards is indicated by the corresponding mark on the product.

Mark	Standard
	This product complies with the EU Directives 2011/65/EU (RoHS), 2014/30/EU (EMC), 2014/35/EU (LVD) and 2014/31/EU (NAWI). The EU Declaration of Conformity is available online at www.ohaus.com/ce .
	This product complies with the EU Directive 2012/19/EU (WEEE). Please dispose of this product in accordance with local regulations at the collecting point specified for electrical and electronic equipment. For disposal instructions in Europe, refer to www.ohaus.com/weee .
	EN 61326-1

Verified weighing instruments in the EU

When the instrument is used in trade or a legally controlled application it must be set up, verified and sealed in accordance with local weights and measures regulations. It is the responsibility of the purchaser to ensure that all pertinent legal requirements are met.

Weighing Instruments verified at the place of manufacture bear the following supplementary metrology marking on the descriptive plate.



Weighing Instruments to be verified in two stages have no supplementary metrology marking on the descriptive plate. The second stage of conformity assessment must be carried out by the applicable weights and measures authorities.

If national regulations limit the validity period of the verification, the user of the weighing instrument must strictly observe the re-verification period and inform the weights and measures authorities.

As verification requirements vary by jurisdiction, the purchaser should contact their local weights and measures office if they are not familiar with the requirements.

FCC Note

This equipment has been tested and found to comply with the limits for a Class B digital device, pursuant to Part 15 of the FCC Rules. These limits are designed to provide reasonable protection against harmful interference in a residential installation. This equipment generates, uses and can radiate radio frequency energy and, if not installed and used in accordance with the instructions, may cause harmful interference to radio communications. However, there is no guarantee that interference will not occur in a particular installation. If this equipment does cause harmful interference to radio or television reception, which can be determined by turning the equipment off and on, the user is encouraged to try to correct the interference by one or more of the following measures:

- Reorient or relocate the receiving antenna.
- Increase the separation between the equipment and receiver.
- Connect the equipment into an outlet on a circuit different from that to which the receiver is connected.
- Consult the dealer or an experienced radio/TV technician for help.
-

Changes or modifications not expressly approved by the party responsible for compliance could void the user's authority to operate the equipment.

Industry Canada Note

This Class B digital apparatus complies with Canadian ICES-003.

ISO 9001 Registration

The management system governing the production of this product is ISO 9001 certified.

LIMITED WARRANTY

OHAUS products are warranted against defects in materials and workmanship from the date of delivery through the duration of the warranty period. During the warranty period OHAUS will repair, or, at its option, replace any component(s) that proves to be defective at no charge, provided that the product is returned, freight prepaid, to OHAUS. This warranty does not apply if the product has been damaged by accident or misuse, exposed to radioactive or corrosive materials, has foreign material penetrating to the inside of the product, or as a result of service or modification by other than OHAUS. In lieu of a properly returned warranty registration card, the warranty period shall begin on the date of shipment to the authorized dealer. No other express or implied warranty is given by OHAUS Corporation. OHAUS Corporation shall not be liable for any consequential damages.

As warranty legislation differs from state to state and country to country, please contact OHAUS or your local OHAUS dealer for further details.

Product Registration

Protect your investment. Register your product with your local OHAUS dealer. In the US and Canada register online at www.ohaus.com.

1. INTRODUCCIÓN

Este manual contiene las instrucciones de instalación, de operación y de mantenimiento para la serie Navigator™. Por favor, lea todo el manual antes de usar la balanza.

1.1 Definición de señales y símbolos de advertencia

ADVERTENCIA Para una situación peligrosa con riesgo medio, esto podría causar lesiones o la muerte si no se evita.

PRECAUCIÓN Para una situación peligrosa con riesgo bajo, esto podría causar daños al dispositivo, a la propiedad; una pérdida de datos, o lesiones si no se evita.

Atención Para información importante sobre el producto

Nota Para información útil sobre el producto



Peligro general

Riesgo de descarga eléctrica

1.2 Precauciones de seguridad



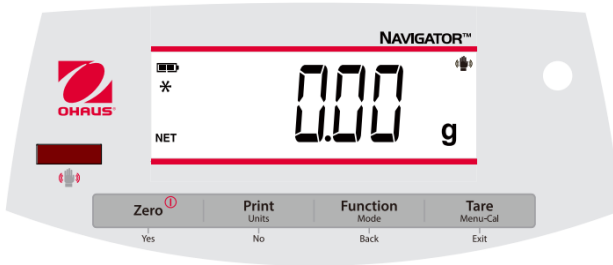
PRECAUCIÓN: Lea todas las precauciones de seguridad antes de instalar, de realizar conexiones, o dar servicio técnico a este equipo. El incumplimiento de estas advertencias puede resultar en lesiones personales y/o daños a la propiedad. Conserve todas las instrucciones para referencias futuras.

- Verifique que el rango de tensión de entrada del adaptador de CA y el tipo de enchufe sean compatibles con la fuente de alimentación de la red local de CA.
- Posicione el instrumento, de manera que el adaptador de CA se pueda desconectar fácilmente de la toma de pared.
- Posicione el cable de alimentación, de manera que no se vuelva un obstáculo potencial o un peligro de tropiezo.
- Opere el equipo solo según las condiciones ambientales especificadas en estas instrucciones.
- Este equipo es solo para usos en interiores.
- No opere el equipo en entornos peligrosos o explosivos.
- Solo utilice el equipo en ubicaciones secas.
- Use solamente accesorios y periféricos aprobados.
- Desconecte el equipo de la fuente de alimentación al limpiarlo.
- El servicio técnico solo debe ser realizado por personal autorizado.

1.3 Uso previsto

Use el instrumento exclusivamente para pesar como se describe en las instrucciones operativas. Cualquier otro tipo de uso y de operación más allá de los límites de las especificaciones técnicas sin el consentimiento por escrito de OHAUS se lo considerará incorrecto. Este instrumento cumple con las normas industriales vigentes y los reglamentos de seguridad reconocidos; sin embargo, su uso puede constituir un riesgo. Si el instrumento no se usa según estas instrucciones operativas, la protección prevista del instrumento puede ser comprometida, y OHAUS no asume la responsabilidad.

1.4 Controles



Botón	Funciones
Cero ①	Pulsación corta (encendido): Establece la pantalla en cero (apagado): Enciende la balanza Pulsación larga (encendido): Apaga la balanza
Sí	Pulsación corta (en menú): Selecciona/acepta el ajuste mostrado
Imprimir Unidades No	Pulsación corta: Ver manual de interfaz para descripción de la operación. Pulsación larga: Cambia entre las unidades activas Pulsación corta (en menú): Cambia entre los ajustes disponibles
Función Modo Volver	Pulsación corta: Selecciona el ajuste de función Pulsación larga: Selecciona el modo activo Pulsación corta (en Menú): Regresa a los ajustes anteriores
Tara Menu-Cal Salir	Pulsación corta: Ingresar/borrar un valor de Tara Pulsación larga: Ingresa al Menú del usuario Pulsación corta (en menú): Cierra rápidamente el Menú del usuario
IR Sensor*	Los sensores infrarrojos pueden programarse para actuar como botones "sin tacto". Consulte la sección 4,3 del Menú del usuario para ver los ajustes disponibles.

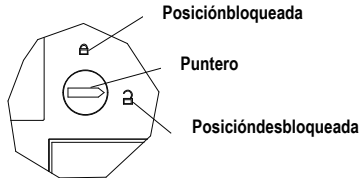
Los sensores infrarrojos pueden activarse por una mano u otro objeto que se coloque alrededor de 12 mm (½ pulgada) por encima de las ubicaciones de los sensores. La distancia de activación del sensor variará sobre la base de la naturaleza reflectiva del objeto. Si ocurren activaciones no deseadas debido a situaciones aisladas, los sensores pueden apagarse.

* La disponibilidad del sensor IR depende del modelo y la región.

2.INSTALACIÓN

2.1 Bloqueo de transporte

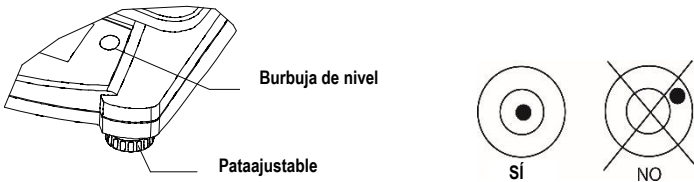
El Bloqueo de transporte está ubicado debajo de la balanza. Rote el indicador a la posición desbloqueada.



2.2 Ubicación

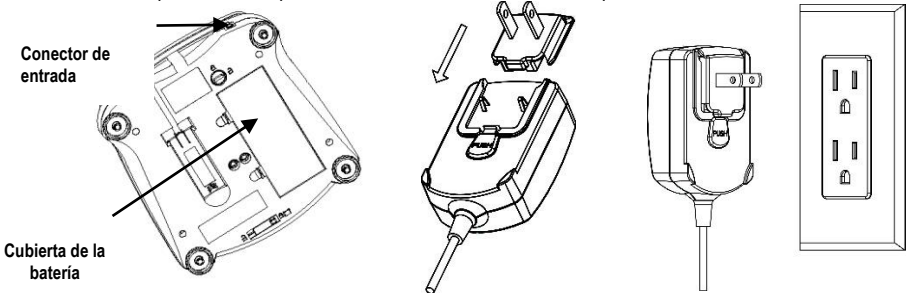
Utilice la balanza en una superficie firme y estable. Evite ubicaciones con fuertes corrientes de aire, vibraciones, fuentes de calor, o cambios de temperatura bruscos.

Ajuste la pata de nivelación para que la burbuja esté centrada en el círculo.



2.3 Alimentación

Se usa el adaptador de CA para alimentar la balanza cuando se prefiere no usar la batería.



Conecte la toma del adaptador de CA en el conector de entrada.

Conecte el adaptador de CA a una fuente de CA adecuada.

Instalación de la batería (sin la batería interna opcional):

Retire la cubierta de la batería e instale las 4 baterías usando las indicaciones de polaridad que se muestran en el compartimento.

Batería recargable opcional*

Las balanzas con batería recargable opcional necesitarán ser cargadas durante 12 horas antes de que la balanza pueda ser operada con la energía de la batería por primera vez. La batería está protegida de sobrecarga, por lo tanto, la balanza puede permanecer conectada a la alimentación de CA. Cuando la batería esté cargada por completo, el indicador de batería en la pantalla dejará de parpadear.

Para retirar la opción de batería recargable e instalar baterías de celdas tipo C, consulte el manual de instrucciones en la sección Batería recargable opcional para obtener instrucciones del paso a paso, así como las instrucciones para deshacerse de estas.



PRECAUCIÓN: Puede ocurrir un riesgo de explosión si la batería recargable es reemplazada con el tipo incorrecto o si no se conecta adecuadamente.

Nota:

Después de la alimentación, se recomienda dejar que el equilibrio caliente durante al menos 5 minutos antes de usarla.

* La disponibilidad del sensor de infrarrojos depende del modelo y la región.

2.4 Calibración inicial

Cuando se instala la balanza por primera vez, esta debe ser calibrada para asegurar resultados precisos.

Mantenga pulsado **Menu-Cal** hasta que se visualice [**MENU**] (Menú). Cuando se suelte el botón, la pantalla mostrará [**C.A.L.**]. Pulse **Yes** para aceptar, luego, se visualizará [**SPAN**] en la pantalla. Pulse **Yes** de nuevo para iniciar la calibración de intervalo. [**-C-**] parpadea mientras se almacena la lectura de cero. Luego, la pantalla muestra el valor del peso de calibración. Coloque la masa de calibración especificada en la bandeja. [**--C--**] parpadea mientras se almacena la lectura. La balanza vuelve al modo de aplicación anterior y está lista para usar.

3. OPERACIÓN

Todos los modos, salvo el modo de pesaje, deben ser activados en el Menú del usuario antes de que estén disponibles, consulte la Sección 4.

3.1 Modo de pesaje

1. Mantenga pulsado **Mode** hasta que se visualice [**WEIGH**] (Pesar).
2. Si es necesario, coloque un contenedor vacío en la bandeja y pulse **Tare**.
3. Agregue material al contenedor. La pantalla muestra el peso del material.

3.2 Modo de conteo de piezas

Este modo cuenta grandes cantidades de elementos sobre la base del peso de una referencia.

1. Coloque un contenedor vacío en la bandeja y pulse **Tare**.
2. Mantenga pulsado **Mode** hasta que se visualice [**Count**] (Contar). Luego, se visualizará [**Clr.APU**] (Borrar peso de pieza promedio).
3. Pulse **No** para usar el APW almacenado. Proceda al paso 6.
4. Pulse **Yes** para establecer un APW. La balanza mostrará el tamaño de la muestra almacenado, por ejemplo. [**Put ID**]. Pulse **No** o **Back** para cambiar entre las opciones (5, 10, 20, 50 o 100).
5. Coloque la cantidad indicada de piezas en la bandeja y pulse **Yes** para calcular el APW. La pantalla muestra el conteo de piezas. Nota: Pulse **Function** para ver el APW actual.
6. Añada piezas adicionales hasta que se alcance el conteo deseado.
7. Para borrar el APW almacenado, mantenga pulsado **Mode** hasta que se visualice [**Count**]. Pulse **Yes** cuando se visualice [**Clr.APU**].

3.3 Modo porcentual

Este modo mide el peso de una muestra como un porcentaje de un peso de referencia.

1. Coloque un contenedor vacío en la bandeja y pulse **Tare**.
2. Mantenga pulsado **Mode** hasta que se visualice [**Percent**]. Luego, se visualizará [**Clr.rEF**] (borra referencia).
3. Pulse **No** para usar el peso de referencia almacenado y proceda al paso 6.
4. Pulse **Yes** para establecer una nueva referencia. La balanza ahora mostrará [**Put.rEF**].
5. Añada el material de referencia deseado al contenedor. Pulse **Yes** para almacenar el peso de referencia. La pantalla ahora muestra 100 %.
Nota: Pulse **Function** para ver el peso de referencia actual.
6. Reemplace el material de referencia con el material de muestra. La pantalla muestra el porcentaje de la muestra comparado al peso de referencia.
7. Para borrar la referencia almacenada mantenga pulsado **Mode** hasta que se visualice [**Percent**]. Pulse **Yes** cuando se visualice [**Clr.rEF**].

3.4 Modo controlador de peso

Este modo establece límites de peso mínimo y máximo para procesos de controles de porciones.

1. Mantenga pulsado **Mode** hasta que se visualice [**CHECF**] (Revisar). Luego, se visualizará [**CLr.rEF**] (borrar referencias).
2. Pulse **No** para usar los límites de peso de referencia almacenados y proceda al paso 5.
Nota: Pulse **Function** para ver los límites de peso de referencia mínimo y máximo.
3. Pulse **Yes** para establecer los nuevos valores de referencia. La balanza ahora mostrará [**SE.L**]. Pulse **Yes** para ver el valor de límite "Inferior". Pulse **Yes** para aceptar o **No** para cambiar el valor de límite "Inferior". Luego, el valor almacenado se mostrará con el primer dígito resaltado [000]000 kg]. Pulse repetidamente **No** hasta que aparezca el número deseado. Pulse **Yes** para aceptar y resaltar el próximo dígito. Repita el paso hasta que todos los dígitos sean correctos. Pulse **Yes** para aceptar el valor de límite "Inferior", se vitalizará [**SE.L.H**].
4. Repita el mismo procedimiento para aceptar o cambiar el valor "Superior".
5. Coloque el material de muestra en la Bandeja. El indicador "Aceptar" ahora mostrará que el peso de muestra está dentro del rango aceptable.
6. Para borrar los valores de referencia almacenados, mantenga pulsado **Mode** hasta que se visualice [**CHECF**]. Pulse **Yes** cuando se visualice [**CLr.rEF**].

4. AJUSTES

El Menú del usuario permite personalizar los ajustes de la balanza.

Nota: Pueden existir submenús adicionales si se instalan las Opciones de interfaz. Consulte Interfaz en el Manual del usuario para más información sobre los ajustes adicionales.

4.1 Navegación del menú

Menú del usuario:

Sub-Menús:	.C.a.l.	.S.e.t.u.p.*	.M.o.d.e.	.U.n.i.t.*	.E.n.d.
Elementos del menú:	Span Lin	b.light A-OFF IR** Filter AZT Stab Stab.C	Count Percnt Check	g kg ...	
	End	End	End	End	

* Nota: Los ajustes disponibles varían según los modelos y las regiones

** La disponibilidad del sensor IR depende del modelo y la región.

Mantenga pulsado Menú hasta que se visualice [**PMENU**] (Menú). Al soltarlo, se visualizará el primer submenú [**.C.R.L.**] (Cal).

Pulse **Yes** para entrar en el submenú mostrado o pulse **No** para avanzar al próximo.

Al seleccionar un submenú, se visualizará el primer elemento del menú. Pulse **Yes** para ver el ajuste del elemento del menú o pulse **No** para ir al próximo elemento del menú. Al ver el ajuste, pulse **Yes** para aceptarlo, o pulse **No** para cambiarlo. Cuando se visualice [**End**], pulse **Yes** para regresar a las selecciones del submenú o **No** para regresar al primer elemento en el menú actual.

4.2 Submenú Cal

- Span [**SPAN**] (sí, no) – Inicia el procedimiento de calibración del intervalo (cero e intervalo). Una calibración de intervalo es importante en la configuración inicial de la balanza.
- Lin [**Lin**] (sí, no) – Inicia un procedimiento de calibración de linealidad (cero, punto medio e intervalo).

4.3 Submenú de configuraciones

- Luz Negra [**b.L. ON/OFF**] (on, off, **Auto**)-Si la Luz Negra está «on», el balance siempre estará «on». Si la Luz Negra está en «Auto», el balance se encenderá cuando se pulse un botón o cambie el peso de la pantalla.
- Auto Off [**Auto Off**] (on, **off**) - Si Auto Off está «on», el balance se apagará automáticamente después de 5 minutos de inactividad. El modo Auto Off se utiliza para ahorrar energía de la batería.
- Sensor IR [**IR Func**] (Apagado, Tara, Función, Imprimir, Cero, **Pantalla**) - Estos ajustes determinan el rol del Sensor IR. «Cero», «Imprimir», «Función» o «Tara» permiten al sensor IR actuar de la misma forma que el botón correspondiente. «Pantalla» activa la pantalla, si está configurado el modo Pantalla Auto. «Off» desactiva el sensor.*
- Filtro [**Filter**] (L1, **L2**, L3, L4) – establece la cantidad de filtrado de la señal.

	L1 _____ > L4
Estabilidad	Menor _____ > Mayor
Tiempo de estabilización	Más rápido _____ > Más lento

- Seguimiento Automático de Cero [**Auto Zero**] (OF, 0,5d, 1d, 3d, 5d, 8d, 10d) – Establece la funcionalidad del seguimiento automático de cero. La pantalla mantendrá el cero hasta que se haya superado un cambio de «0,5d, 1d, 3d, 5d, 8d, 10d» divisiones por segundo.
- Estable [**Stable**] (0,5d, **1d**, 2d, 5d) – Establece la cantidad de la lectura que puede variar mientras el símbolo de estabilidad permanezca encendido.
- Compensación estable [**Stable Comp**] (on, off) - Establece la funcionalidad de seguimiento estable automático. Establecer en «off» para la aplicación de dosificación o llenado.

Nota: Los valores en negrita indican siempre el valor por defecto de fábrica.

*La disponibilidad del Sensor IR depende del modelo y de la región.

4.4 Menú modo

Este submenú activa los modos que estarán disponibles para su uso con el botón Mode. El modo de pesaje siempre está activo.

- Conteo de piezas [**Count**] (activado, desactivado) – Actívelo para esté disponible.
- Porcentual [**Percent**] (activado, desactivado) - Actívelo para esté disponible.
- Revisar peso [**Check**] (activado, desactivado) Actívelo para esté disponible.

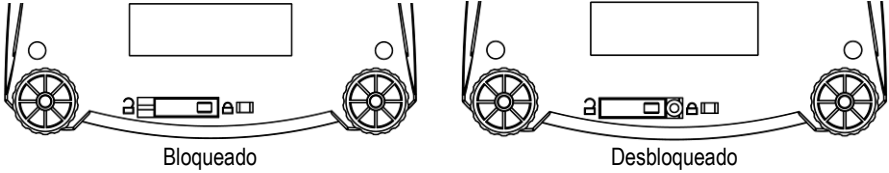
4.5 Menú unidades

Este submenú activa las unidades, por ende estarán disponibles en el botón **Units**. Las unidades en el menú deben ser “encendidas” para que estén activas.

Nota: Las unidades y modos disponibles varían según el modelo y los reglamentos locales.

4.6 Sellar el acceso a los ajustes de la balanza

Puede usar el interruptor de bloqueo del menú para limitar los cambios en el menú de usuario. El interruptor en los modelos de tipos aprobados puede establecer algunos ajustes de la balanza según se requiera por la agencia de aprobación. El interruptor puede ser asegurado usando precintos de papel, precintos de alambre, o sujetadores plásticos.



5. MANTENIMIENTO

5.1 Limpieza



ADVERTENCIA: Riesgo de descarga eléctrica. Desconecte el equipo de la fuente de alimentación antes de limpiarlo.

Asegúrese de que no ingresen líquidos en el interior del instrumento.



Atención: No utilice solventes, químicos agresivos, amoníaco o agentes de limpieza abrasivos.

Las superficies exteriores del instrumento pueden ser limpiadas con un paño humedecido con agua y un detergente suave.

5.2 Resolución de problemas

La siguiente tabla lista los problemas comunes y sus posibles causas y soluciones.

Si el problema persiste, contáctese con OHAUS o un distribuidor autorizado.

Síntoma	Causa posible	Solución
No se puede encender	Balanza sin alimentación	Verifique las conexiones y la tensión
Baja precisión	Calibración inadecuada Entorno inestable	Realice una calibración Mueva la balanza a una ubicación adecuada
No se puede calibrar	Entorno inestable Peso de calibración incorrecto	Mueva la balanza a una ubicación adecuada Use el peso de calibración correcto
No se puede acceder a un modo	Modo no habilitado	Ingrese al menú y habilite el modo
No se puede acceder a una unidad	Unidad no habilitada	Ingrese al menú y habilite la unidad
Lo rEF	El peso de referencia es muy bajo	Aumente el peso de referencia.
rEFErr	Conteo de piezas- peso de muestra <1d.	Muestra error – sale del modo o va a [Clr.ApU].
Err 3.0	Peso de calibración incorrecto	Consulte la sección 2,5 para los pesos correctos
Err 4.4	Búffer de RS232 está lleno	Habilitar Handshake, consulte Manual del usuario de interfaz.
Err 8.1	Rango de cero en encendido superado	Vacíe la bandeja, revise el ajuste de Bloqueo de envío
Err 8.2	Encendido en cero debajo del rango	Instale la bandeja, revise el ajuste de Bloqueo de envío
Err 8.3	Sobrecarga (>cap+9e)	La carga supera la capacidad máxima de la balanza
Err 8.4	Carga baja	Lectura por debajo del rango mínimo – Reinstale la bandeja.
Err 8.6	Valor mostrado >999999	El resultado supera la capacidad de la pantalla.
Err 9	Error de datos interno.	Contáctese con un agente de servicio autorizado
Err 13	Fallo al escribir en EEPROM.	Contáctese con un agente de servicio autorizado
Err 53	Datos de suma de verificación inválidos	Contáctese con un agente de servicio autorizado

5.3 Información de servicio

Si la sección de resolución de problemas no soluciona ni describe su problema, contáctese con su agente de servicios autorizado de OHAUS. Para recibir asistencia o soporte técnico en los Estados Unidos; llame gratis al 1-800-526-0659 de 8:00 AM a 5:00 PM EST. Un especialista en servicios de productos OHAUS estará disponible para brindarle asistencia. Fuera de los EE.UU., visite nuestro sitio web, www.ohaus.com para ubicar la oficina de OHAUS más cercana.

6. DATOS TÉCNICOS

Índices del equipo:

- Grado de contaminación 2;
- Categoría de instalación II;
- Altitud 2000m;
- Humedad: Máxima 80% para temperaturas hasta 31 °C disminuyendo linealmente hasta 50 % a 40 °C; sin condensación;
- Alimentación eléctrica; 12VCC 500mA nominal para uso con un adaptador de alimentación Certificado/Listado u operado con batería;
- Solo para usos en interiores;
- Rango de temperatura: 10 a 40 °C, modelos aprobados (M) 0 a 40 °C
- Las fluctuaciones de tensión de la fuente de alimentación no superan el ± 10 % de la tensión de alimentación nominal.

6.1 Especificaciones

Modelos no aprobados

Modelo	NV123	NV223	NV323	NV222	NV422	NV622	NV1202
Capacidad (g)	120	220	320	220	420	620	1200
Legibilidad (g)	0,001	0,001	0,001	0,01	0,01	0,01	0,01
Repetibilidad (Desv. Est.)	2d	2d	2d	1d	2d	2d	2d
Linealidad	±3d	±5d	±5d	±2d	±2d	±2d	±3d
Masa de calibración de extensión (No incluida)	100	200	300	200	200	300	1000
Calibración de la linealidad	50, 100 g	100 g, 200 g	150 g, 300 g	100 g, 200 g	200 g, 400 g	300 g, 600 g	500 g, 1 kg
Tiempo de estabilización (s)	2,5			1	1,5	1,5	2
Estructura	Carcasa en ABS y bandeja en acero inoxidable						
Protección contra corrientes	Sí			No			
Calibración	Calibración externa de extensión o de linealidad seleccionable por el usuario/Digital con pesaje externo						
Rango de tara	Capacidad total por sustracción						
Unidades de pesaje*	g, kg, N, oz, ozt, dwt, lb, lb:oz, ct, grano, tael (3), Tical, Tola						
Modos de aplicación	Pesaje, Conteo de piezas, Pesaje por porcentaje, Control de peso						
Requisitos de energía	Adaptador CA (incluido) o 4 baterías tipo C (no incluidas)						
Vida típica de la batería	200 horas			270 horas			200 horas
Rango de temperatura especificado	10°C (50°F) a 40°C (104°F) a un 10% - 85% de humedad relativa, sin condensación						
Condiciones de almacenamiento	-20°C (-4°F) a 55°C (131°F) a un 10% - 90% de humedad relativa, sin condensación						
Comunicación	RS232, USB, o Ethernet (disponibles como accesorios)						
Tipo de pantalla	Pantalla de cristal líquido (LCD) con luz de fondo						
Tamaño de la pantalla	0,78 pulg / dígitos de 20 mm						
Tamaño de la bandeja (Ancho x Prof.)	Ø3,7 pulg. / Ø93 mm			Ø5.7 pulg. / Ø145 mm			7,5 x 5,7 pulg. / 190 x 144 mm
Dimensiones de la báscula (Anch. x Prof. x Alt.)	204 x 230 x 107 mm con protección contra corrientes 204 x 230 x 74 mm sin protección contra corrientes			8 x 9,1 x 2,8 pulg / 204 x 230 x 70 mm			
Dimensiones de envío (Anch. x Prof. x Alt.)	15,2 x 13,2 x 6,7 pulg / 385 x 335 x 170 mm			11,8 x 9,8 x 5,3 pulg / 300 x 250 x 134 mm			
Peso neto	2,2 lb / 1,0 kg			2,2 lb / 1,0 kg			
Peso de envío	3,3 lb / 1,5 kg			3,3 lb / 1,5 kg			

Modelo	NV2202	NV3202	NV221	NV621	NV1201	NV2201	NVT2201
Capacidad (g)	2200	3200	220	620	1200	2200	2200
Legibilidad (g)	0,01	0,01	0,1	0,1	0,1	0,1	0,1
Repetibilidad (Desv. Est.)	2d	2d	1d	1d	1d	1d	1d
Linealidad	±5d	±5d	±2d	±2d	±2d	±2d	±2d
Masa de calibración de extensión (No incluida)	2000	3000	200	300	500	1000	1000
Calibración de la linealidad	1 kg, 2 kg	1,5 kg, 3 kg	100 g, 200 g	300 g, 600 g	500 g, 1 kg	1 kg, 2 kg	1 kg, 2 kg
Tiempo de estabilización (s)	2	2	1	1	1	1	1
Estructura	Carcasa en ABS y bandeja en acero inoxidable						
Protección contra corrientes	No						
Calibración	Calibración externa de extensión o de linealidad seleccionable por el usuario/Digital con pesaje externo						
Rango de tara	Capacidad total por sustracción						
Unidades de pesaje*	g, kg, N, oz, ozt, dwt, lb, lb:oz, ct, grano, tael (3), Tical, Tola						
Modos de aplicación	Pesaje, Conteo de piezas, Pesaje por porcentaje, Control de peso						
Requisitos de energía	Adaptador CA (incluido) o 4 baterías tipo C (no incluidas)						
Vida típica de la batería	200 horas	270 horas					
Rango de temperatura especificado	10°C (50°F) a 40°C (104°F) a un 10% - 85% de humedad relativa, sin condensación						
Condiciones de almacenamiento	-20°C (-4°F) a 55°C (131°F) a un 10% - 90% de humedad relativa, sin condensación						
Comunicación	RS232, USB, o Ethernet (disponibles como accesorios)						
Tipo de pantalla	Pantalla de cristal líquido (LCD) con luz de fondo						
Tamaño de la pantalla	0,78 pulg / dígitos de 20 mm						
Tamaño de la bandeja (Ancho x Prof.)	7,5 x 5,7 pulg. / 190 x 144 mm						9,1 x 6,9 pulg. / 230 x 174 mm
Dimensiones de la báscula (Anch. x Prof. x Alt.)	8 x 9,1 x 2,8 pulg / 204 x 230 x 70 mm						9,5 x 9,8 x 2,9 pulg / 240 x 250 x 74 mm
Dimensiones de envío (Anch. x Prof. x Alt.)	11,8 x 9,8 x 5,3 pulg / 300 x 250 x 134 mm						15,2 x 13,2 x 6,7 pulg / 385 x 335 x 170 mm
Peso neto	2,2 lb / 1,0 kg						3,3 lb / 1,5 kg
Peso de envío	3,3 lb / 1,5 kg						5,1 lb / 2,3 kg

Modelo	NVT4201	NVT6201	NVT10201	NVT2200	NVT6200	NVT12000	NVT22000
Capacidad (g)	4200	6200	10200	2200	6200	12000	22000
Legibilidad (g)	0,1	0,1	0,1	1	1	1	1
Repetibilidad (Desv. Est.)	2d	2d	2d	2d	1d	1d	1d
Linealidad	±2d	±2d	±2d	±2d	±2d	±2d	±2d
Masa de calibración de extensión (No incluida)	2000	5000	5000	1000	5000	5000	10000
Calibración de la linealidad	2 kg, 4 kg	3 kg, 6 kg	5 kg, 10 kg	1 kg, 2 kg	3 kg, 6 kg	5 kg, 10 kg	10 kg, 20 kg
Tiempo de estabilización (s)	1,5	1,5	1,5	1	1	1	1
Estructura	Carcasa en ABS y bandeja en acero inoxidable						
Protección contra corrientes	No						
Calibración	Calibración externa de extensión o de linealidad seleccionable por el usuario/Digital con pesaje externo						
Rango de tara	Capacidad total por sustracción						
Unidades de pesaje*	g, kg, N, oz, ozt, dwt, lb, lb:oz, ct, grano, tael (3), Tical, Tola						
Modos de aplicación	Pesaje, Conteo de piezas, Pesaje por porcentaje, Control de peso						
Requisitos de energía	Adaptador CA (incluido) o 4 baterías tipo C (no incluidas)						
Vida típica de la batería	270 horas	200 horas	270 horas				
Rango de temperatura especificado	10°C (50°F) a 40°C (104°F) a un 10% - 85% de humedad relativa, sin condensación						
Condiciones de almacenamiento	-20°C (-4°F) a 55°C (131°F) a un 10% - 90% de humedad relativa, sin condensación						
Comunicación	RS232, USB, o Ethernet (disponibles como accesorios)						
Tipo de pantalla	Pantalla de cristal líquido (LCD) con luz de fondo						
Tamaño de la pantalla	0,78 pulg / dígitos de 20 mm						
Tamaño de la bandeja (Ancho x Prof.)	9,1 x 6,9 pulg. / 230 x 174 mm						
Dimensiones de la báscula (Anch. x Prof. x Alt.)	9,5 x 9,8 x 2,9 pulg / 240 x 250 x 74 mm						
Dimensiones de envío (Anch. x Prof. x Alt.)	15,2 x 13,2 x 6,7 pulg / 385 x 335 x 170 mm						
Peso neto	3,3 lb / 1,5 kg						
Peso de envío	5,1 lb / 2,3 kg						

** La disponibilidad depende del modelo y de la región.

Capacidad x legibilidad

Modelo	NV123	NV223	NV323	NV222	NV422	NV622	NV1202
Gramo (g)	120 x 0,001	220 x 0,001	320 x 0,001	220 x 0,01	420 x 0,01	620 x 0,01	1200 x 0,01
Kilogramo (kg)	/	/	/	/	/	/	1,2 x 0,00001
Newton (N)	1,17679 x 0,00001	2,15744 x 0,00001	3,1381 x 0,00001	2,1574 x 0,0001	4,1188 x 0,0001	6,0801 x 0,0001	11,7679 x 0,0001
Onza (oz)	4,23285 x 0,00005	7,76025 x 0,00005	9,99995 x 0,00005 11,2876 x 0,0001	7,7600 x 0,0005	14,8150 x 0,0005	21,8700 x 0,0005	42,3285 x 0,0005
Onza troy (ozt)	3,85805 x 0,00005	7,07315 x 0,00005	10,28820 x 0,00005	7,0730 x 0,0005	13,5030 x 0,0005	19,9335 x 0,0005	38,5805 x 0,0005
Pennyweight (dwt)	77,162 x 0,001	141,463 x 0,001	205,765 x 0,001	141,46 x 0,01	270,07 x 0,01	398,67 x 0,01	771,62 x 0,01
Libra (lb)	/	/	/	/	/	1,36690 x 0,00005	2,64550 x 0,00005
Libra:onza (lb:oz)	/	/	/	/	/	1 lb:5,8700 oz x 0,0005 oz	2 lb:10,328 oz x 0,001oz
Carat (ct)	600,000 x 0,005	999,995/1100,00 x 0,005/0,01	999,995/1600 x 0,005/0,01	1100 x 0,05	2100 x 0,05	3100 x 0,05	6000 x 0,05
Grano (grn)	1851,78 x 0,02	3395,12 x 0,02	4938,26 x 0,02	3395,0 x 0,2	6481,6 x 0,2	9568,0 x 0,2	18518,8 x 0,2

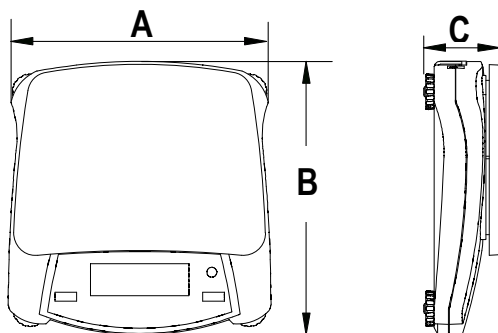
Modelo	NV2202	NV3202	NV221	NV621	NV1201	NV2201	NVT2201
Gramo (g)	2200 x 0,01	3200 x 0,01	220 x 0,1	620 x 0,1	1200 x 0,1	2200 x 0,1	2200 x 0,1
Kilogramo (kg)	2,2 x 0,00001	3,2 x 0,00001	/	/	1,2 x 0,0001	2,2 x 0,0001	2,2 x 0,0001
Newton (N)	21,5744 x 0,0001	31,381 x 0,0001	2,157 x 0,001	6,080 x 0,001	11,768 x 0,001	21,574 x 0,001	21,574 x 0,001
Onza (oz)	77,6025 x 0,0005	99,9995/112,876 x 0,005/0,001	7,760 x 0,005	21,870 x 0,005	42,330 x 0,005	77,600 x 0,005	77,600 x 0,005
Onza troy (ozt)	70,7315 x 0,0005	99,9995/102,882 x 0,005/0,001	7,070 x 0,005	19,930 x 0,005	38,580 x 0,005	70,730 x 0,005	70,730 x 0,005
Pennyweight (dwt)	1414,63 x 0,01	2057,65 x 0,01	141,5 x 0,1	398,7 x 0,1	771,6 x 0,1	1414,6 x 0,1	1414,6 x 0,1
Libra (lb)	4,85015 x 0,00005	7,05475 x 0,00005	/	1,3670 x 0,0005	2,6455 x 0,0005	4,8500 x 0,0005	4,8500 x 0,0005
Libra:onza (lb:oz)	4 lb:13,604 oz x 0,001oz	7 lb:00,878 oz x 0,001oz	/	1 lb:5,870 oz x 0,005 oz	2 lb:10,330 oz x 0,005 oz	4 lb:13,600 oz x 0,005 oz	4 lb:13,600 oz x 0,005 oz
Carat (ct)	9999,95/1100,00 x 0,05/0,1	9999,95/1600,00 x 0,05/0,1	1100 x 0,5	3100 x 0,5	6000 x 0,5	11000 x 0,5	11000 x 0,5
Grano (grn)	33951,2 x 0,2	49383,6 x 0,2	3400 x 2	9570 x 2	18520 x 2	33950 x 2	33950 x 2

Modelo	NVT4201	NVT6201	NVT10201	NVT2200	NVT6200	NVT12000	NVT22000
Gramo (g)	4200 x 0,1	6200 x 0,1	10000 x 0,1	2200 x 1	6200 x 1	12000 x 1	22000 x 1
Kilogramo (kg)	4,2 x 0,0001	6,2 x 0,0001	10 x 0,0001	2,2 x 0,001	6,2 x 0,001	12 x 0,001	22 x 0,001
Newton (N)	41,188 x 0,001	60,801 x 0,001	98,066 x 0,001	21,57 x 0,01	60,8 x 0,01	117,68 x 0,01	215,74 x 0,01
Onza (oz)	148,15 x 0,005	218,700 x 0,005	352,735 x 0,005	77,6 x 0,05	218,7 x 0,05	423,3 x 0,05	776,05 x 0,05
Onza troy (ozt)	135,035 x 0,005	199,335 x 0,005	321,505 x 0,005	70,75 x 0,05	199,35 x 0,05	385,8 x 0,05	707,3 x 0,05
Pennyweight (dwt)	2700,7 x 0,1	3986,7 x 0,1	6430,1 x 0,1	1410 x 1	3990 x 1	7720 x 1	14150 x 1
Libra (lb)	9,2595 x 0,0005	13,6685 x 0,0005	22,0460 x 0,0005	4,85 x 0,005	13,67 x 0,005	26,455 x 0,005	48,5 x 0,005
Libra:onza (lb:oz)	9 lb:4,15 oz x 0,005 oz	13 lb:10,700 oz x 0,005 oz	9lb:15,995oz / 22lb:00,74oz x 0,005oz / 0,01oz	4 lb:13,6 oz x 0,05 oz	13 lb:10,7 oz x 0,05 oz	26 lb:7,3 oz x 0,05 oz	48 lb:8,05 oz x 0,05 oz
Carat (ct)	21000 x 0,5	31000 x 0,5	50000,0 x 0,5	11000 x 5	31000 x 5	60000 x 5	110000 x 5
Grano (grn)	64820 x 2	95680 x 2	154320 x 2	33960,19 x 20	95680 x 20	185180 x 20	339520 x 20

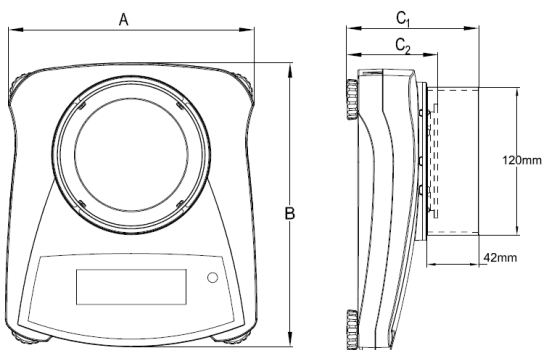
Modelos aprobados

Modelo	NVT1601M	NVT3200M	NVT6400M	NVT16000M
Capacidad (g)	1600	3200	6400	16000
Legibilidad (g)	0,5	1	2	5
Intervalo de verificación (g)	0,5	1	2	5
Masa de calibración de extensión	1 kg	2 kg	5 kg	10 kg
Calibración de la linealidad	1 kg, 1,5 kg	2 kg, 3 kg	3 kg, 6 kg	10 kg, 15 kg
Clase de aprobación	III			
Tiempo de estabilización (s)	1 s			
Estructura	Carcasa en ABS y bandeja en acero inoxidable			
Calibración	Calibración externa de extensión o de linealidad seleccionable por el usuario/Digital con pesaje externo			
Rango de tara	Capacidad total por sustracción			
Unidades de pesaje	g, kg, ct			
Modos de aplicación	Pesaje, Pesaje por porcentaje, Conteo de piezas, Control de peso			
Teclado	4 teclas mecánicas, más 1 sensor <i>touchless</i>			
Requisitos de energía	Adaptador CA (incluido) o 4 baterías tipo C (no incluidas)			
Vida típica de la batería	270 horas			
Rango de temperatura especificado	0°C (32°F) a 40°C (104°F) a un 10% - 85% de humedad relativa, sin condensación			
Condiciones de almacenamiento	-20°C (-4°F) a 55°C (131°F) a un 10% - 90% de humedad relativa, sin condensación			
Comunicación	RS232, USB, o Ethernet (disponibles como accesorios)			
Tipo de pantalla	Pantalla de cristal líquido (LCD) con luz de fondo			
Tamaño de la pantalla	Dígitos de 20 mm			
Tamaño de la bandeja (Ancho x Prof.)	230 x 174 mm			
Dimensiones de la báscula (Anch. x Prof. x Alt.)	240 x 250 x 74 mm			
Dimensiones de envío (Anch. x Prof. x Alt.)	385 x 335 x 170 mm			
Peso neto	1,5 kg			
Peso de envío	2,3 kg			

6.2 Dibujos






	A	B	C
NV	204 mm / 8 in.	230 mm / 9 in.	70 mm / 2.8 in.
NVT	240 mm / 9.5 in.	250 mm / 9.8 in.	74 mm / 2.9 in.



	A	B	C1	C2
NV con protección contra corrientes	204 mm / 8 pulg.	230 mm / 9 pulg.	107 mm / 4,2 pulg.	74 mm / 2,9 pulg.

6.3 Cumplimiento

El cumplimiento a las siguientes normas se indica por medio de algunas de las siguientes la marcas en el producto.

Marca	Norma
	Este producto cumple con las Directivas de la UE 2011/65/EU (RoHS), 2014/30/EU (EMC), 2014/35/EU (LVD) y 2014/31/EU (NAWI). La Declaración de conformidad de la UE está disponible en línea en www.ohaus.com/ce .
	Este producto cumple con la Directriz de la UE 2012/19/EU (WEEE). Elimine este producto de acuerdo con los reglamentos locales en los puntos de recolección especificados para equipos eléctricos y electrónicos. Para más instrucciones de eliminación en Europa, consulte www.ohaus.com/weee .
	EN 61326-1

Instrumentos de pesaje verificados

Cuando el instrumento se use en una transacción o en una aplicación controlada legalmente, este debe ser configurado, verificado y sellado de acuerdo con los reglamentos de pesos y mediciones locales. Es la responsabilidad del comprador asegurarse de que se cumplan todos los requisitos legales pertinentes.

Los instrumentos de pesaje verificados en el lugar de fabricación deben llevar el siguiente marcado adicional de metrología en una placa descriptiva.



Los instrumentos de pesaje que son verificados en dos etapas no llevan un marcado adicional de metrología en la placa descriptiva. La segunda etapa de la evaluación de conformidad debe llevarse a cabo por las autoridades pertinentes de pesaje y de mediciones.

Si los reglamentos nacionales limitan la validez del periodo de verificación, el usuario del instrumento de pesaje debe observar estrictamente el periodo de reverificación e informar a las autoridades de pesaje y de mediciones.

Dado que los requisitos de verificación varían según la jurisdicción, el comprador debe contactarse con su oficina local de pesaje y de mediciones si desconoce los requisitos.

Nota de la FCC

Este equipo ha sido comprobado y cumple con los límites para un dispositivo digital de Clase B, según el Apartado 15 de las Normas FCC. Estos límites han sido diseñados para proporcionar una protección razonable contra interferencias perjudiciales en una instalación residencial. Este equipo genera, utiliza y puede irradiar energía de radiofrecuencia y, si no se instala y se utiliza de acuerdo con el manual de instrucciones, podría ocasionar interferencias perjudiciales para las comunicaciones por radio. Sin embargo, no se garantiza que las interferencias no ocurran en una instalación particular. Si este equipo causa interferencias perjudiciales para la recepción de radio o televisión, que pueda determinarse encendiendo y apagando el equipo, se aconseja al usuario que intente corregir la interferencia por medio de una o más de las siguientes medidas:

- Reorientar o reubicar la antena de recepción.

- Aumentar la distancia de separación entre el equipo y el receptor.
- Conectar el equipo a una toma en un circuito diferente al cual esté conectado el receptor.
- Consultar con el distribuidor o un técnico experimentado de radio/TV por asistencia.

Los cambios y las modificaciones que no sean aprobados explícitamente por las partes responsables del cumplimiento pueden anular la autoridad del usuario a operar el equipo.

Nota de la industria de Canadá

Este aparato digital de Clase B cumple con el ICES-003 canadiense.

Registro de ISO 9001

El sistema de gestión que rige la producción de este producto está certificado por la norma ISO 9001.

GARANTÍA LIMITADA

Los productos de OHAUS están garantizados contra defectos de materiales y de fabricación desde la fecha de entrega hasta que termine el periodo de garantía. Durante el periodo de garantía, OHAUS reparará, o, como opción propia, reemplazará cualquier componente(s) que se muestre defectuoso sin costo alguno siempre y cuando el producto sea devuelto con flete prepago a OHAUS. Esta garantía no es válida si el producto ha sido dañado por accidente o mal uso, si se expone a materiales radiactivos o corrosivos, si tiene materiales extraños en el interior o si se dañó como resultado del servicio técnico o modificación realizada por el personal ajeno a OHAUS. En lugar de una tarjeta de registro de garantía devuelta adecuadamente, el periodo de garantía deberá iniciar en la fecha de envío al distribuidor autorizado. OhausCorporation no otorga ninguna otra garantía expresa o implícita. OhausCorporation no será responsable de ningún daño resultante.

Dado que la legislación de garantía varía según el estado y el país, contáctese con OHAUS o con su distribuidor local de OHAUS para conocer más detalles.

Registro del producto

Proteja su inversión. Registre su producto con su distribuidor local de OHAUS. En EE. UU. y Canadá, regístrelo en línea en www.ohaus.com.

1. INTRODUCTION

Ce manuel contient les instructions d'installation, de fonctionnement et de maintenance des balances de la série Navigator™. Veuillez lire entièrement le manuel avant l'utilisation de la balance.

1.1 Définition des symboles et signaux d'avertissement

AVERTISSEMENT Pour une situation dangereuse à risque moyen, qui pourrait résulter en une blessure ou la mort si non évitée.

PRUDENCE Pour une situation dangereuse à risque faible, qui pourrait résulter en l'endommagement de la machine, de biens, ou la perte de données si non évitée.

Attention Pour les informations importantes concernant le produit.

Note Pour les informations utiles concernant le produit.



Risque général



Risque d'électrocution.

1.2 Consignes de sécurité



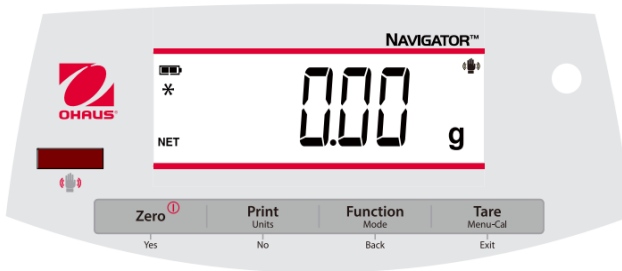
PRUDENCE : Lire toutes les mesures de sécurité avant l'installation, la connexion et l'entretien de l'équipement. Le non-respect de ces mesures pourrait causer des blessures personnelles et/ou endommager le matériel. Conserver ces mesures de sécurité pour les futures utilisations.

- Assurez-vous que la tension d'entrée de l'adaptateur AC correspond avec l'alimentation électrique AC locale.
- Positionner la machine afin que l'adaptateur AC puisse facilement être déconnecté de la prise murale.
- Positionner le câble d'alimentation afin qu'il ne représente pas un obstacle ou un risque quelconque.
- N'utiliser la machine que dans des conditions ambiantes spécifiées dans ces instructions.
- N'utiliser la machine qu'en intérieur.
- Ne pas utiliser la balance dans des zones dangereuses.
- N'utilisez la balance que dans des endroits secs.
- N'utiliser la machine qu'avec des périphériques et des accessoires approuvés.
- Débrancher l'alimentation lors de l'entretien.
- La maintenance ne doit être effectuée que par un personnel autorisé.

1.3 Utilisations préconisées

N'utiliser la machine que pour peser dans des conditions spécifiées dans ces instructions. Tout autre type d'utilisation ou dans des conditions au-delà des limites techniques sans le consentement écrit d'OHAUS, n'est pas préconisée. Cet instrument respecte les standards de l'industrie et les règles de sécurité en vigueur. Cependant, il peut y avoir un risque à l'utilisation. Si la machine n'est pas utilisée dans les conditions décrites dans le manuel d'utilisation, les règles de sécurité sont compromises et OHAUS n'assume aucune responsabilité.

1.4 Éléments de commande



Bouton	Fonctions
Zero ①	Appuyer brièvement (en marche): met l'écran à zéro (à l'arrêt): Met la balance en marche
Yes	Appuyer longuement (en marche): Met la balance à l'arrêt Appuyer longuement (dans le menu): Sélectionne/accepte les paramètres affichés
Print Unités No	Appuyer brièvement: Affiche l'interface de manuel pour la description du fonctionnement. Appuyer longuement: Navigue entre les unités actives Appuyer brièvement (dans le menu): Navigue entre les paramètres disponibles
Function Mode Back	Appuyer brièvement : Sélectionne les paramètres de fonction Appuyer longuement: Sélectionne le mode actif Appuyer brièvement (dans le menu): Retourne aux paramètres précédents
Tare Menu-Cal Exit	Appuyer brièvement: Entrer / effacer une valeur de tare Appuyer longuement: Accéder au menu utilisateur Appuyer brièvement (dans le menu): Quitter rapidement le menu utilisateur
IR Sensor*	Les capteurs IR peuvent être programmés pour fonctionner comme des boutons "sans contact". Pour les paramètres disponibles, voir le menu utilisateur, section 4,3.

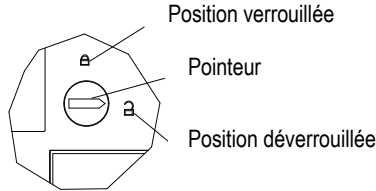
Les capteurs IR peuvent être activés manuellement ou par d'autres objets placés à environ 12 mm (1/2 inch) au-dessus de l'emplacement des capteurs. La distance d'activation des capteurs varie en fonction de la réflectivité de l'objet. En cas d'activation involontaire due à des situations isolées, les capteurs peuvent être désactivés.

* La disponibilité du capteur infrarouge dépend du modèle et de la région.

2. INSTALLATION

2.1 Verrouillage de transport

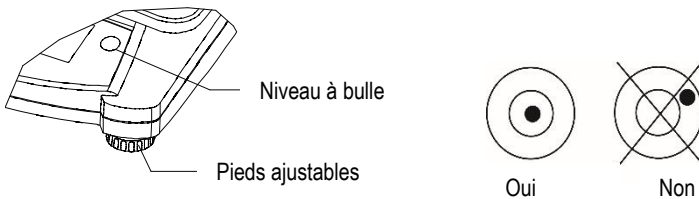
Le verrouillage de transport est situé en dessous de la balance. Placez le curseur en position déverrouillée.



2.2 Emplacement

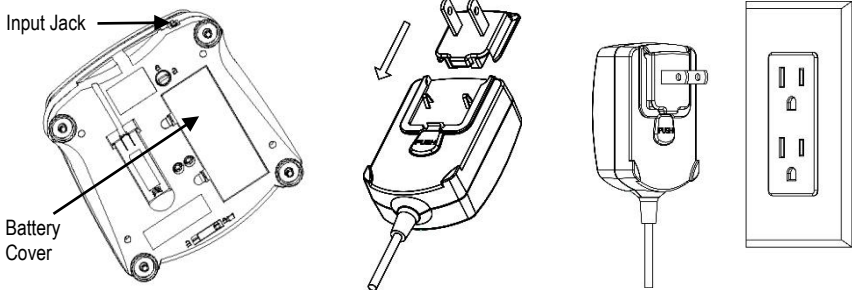
Utilisez la balance sur une surface ferme et stable. Evitez les endroits où le courant d'air est excessif, les vibrations, les sources de chaleur ou les variations rapides de températures.

Réglez les pieds de telle sorte que la bulle soit au centre du cercle.



2.3 Mise en marche

L'adaptateur AC est utilisé pour mettre la balance en marche en l'absence de piles.



Installation des piles (sans piles internes optionnelles):

Retirez le couvercle et installez 4 piles en respectant la polarité indiquée sur le compartiment.

Batteries rechargeables optionnelles*

Les balances avec batterie rechargeable doivent être chargées pendant 12 heures avant de pouvoir fonctionner pour la première fois à l'aide des piles. Les piles sont protégées de la surcharge, la balance peut donc rester connectée au courant secteur. Lorsque la batterie est complètement chargée, le voyant de batteries sur l'écran cesse de clignoter.

Pour retirer la batterie rechargeable optionnelle et installer des piles C, consultez le manuel d'instructions de la batterie rechargeable et suivez les consignes pas-à-pas ainsi que les instructions d'élimination.



Mise en garde: Risque d'explosion en cas de remplacement de la batterie rechargeable par une batterie d'un autre type ou en cas d'installation incorrecte.

Remarque:

Après la mise sous tension, il est recommandé de laisser le reste chaud pendant au moins 5 minutes avant de l'utiliser.

* La disponibilité du capteur infrarouge dépend du modèle et de la région.

2.4 Calibrage initial

Après l'installation initiale de la balance, elle doit être calibrée afin de produire des résultats précis.

Appuyez et maintenez enfoncée la touche **Menu-Cal** jusqu'à ce que **[MENU]** (menu) soit affiché. Lorsque vous relâchez le bouton, l'écran affichera **[C.A.L.]**. Appuyez sur **Yes** pour accepter, l'écran affichera alors, **[SPRN]**. Appuyez à nouveau sur **Yes** pour commencer le calibrage de la portée. **[- - C - -]** Clignote pendant l'enregistrement de la lecture zéro. Par la suite, l'écran affiche la valeur du poids de calibrage. Placez la masse de calibrage spécifiée sur le plateau. **[- - C - -]** clignote pendant l'enregistrement de la lecture. La balance retourne au mode de fonctionnement précédent et est prête à l'emploi.

3. Fonctionnement

A l'exception du pesage, tous les modes doivent être actifs dans le menu utilisateur avant d'être disponibles, voir section 4.

3.1 Mode pesage

1. Appuyez et maintenez enfoncé la touche **Mode** jusqu'à ce que [**Wt** **IGH**] (poids) soit affiché.
2. Au besoin, placez un récipient vide sur le plateau et appuyez sur **Tare**.
3. Ajoutez du matériel dans le récipient. L'écran affiche le poids du matériel.

3.2 Mode comptage de pièces

Ce mode permet de compter de grandes quantités d'articles sur la base du poids d'un comptage de référence.

1. Placez un récipient vide sur le plateau et appuyez sur **Tare**.
2. Appuyez et maintenez le bouton **Mode** jusqu'à ce que [**Count**] (décompte) s'affiche. [**Clr** **APU**] (Effacer le poids moyen de pièce) s'affichera alors.
3. Appuyez sur **Non** pour utiliser le poids moyen de pièce enregistré. Continuez à l'étape 6.
4. Appuyez sur **Oui** pour établir un poids moyen de pièce. La balance affichera la taille de l'échantillon enregistré, par ex. [**Pwt** **10**]. Appuyez sur **No** ou **Back** pour naviguer entre les choix (5, 10, 20, 50 or 100).
5. Placez le nombre de pièces indiqué sur le plateau et appuyez sur **Yes** pour calculer le poids moyen de pièce. L'écran affiche le comptage de pièces. Remarque: Appuyez sur **Function** pour voir le poids moyen de pièce actuel.
6. Ajoutez des pièces jusqu'à ce que le compte désiré soit atteint.
7. Pour effacer le poids moyen de pièce enregistré, appuyez et maintenez le bouton **Mode** jusqu'à ce que [**Count**] soit affiché. Appuyez sur **Yes** lorsque [**Clr** **APU**] apparaît.

3.3 Mode pourcentage

Ce mode permet de mesurer le poids d'un échantillon en tant que pourcentage d'un poids de référence.

1. Placez un récipient vide sur le plateau et appuyez sur **Tare**.
2. Appuyez et maintenez le bouton **Mode** jusqu'à ce que [**Percnt**] apparaisse. [**Clr** **rEF**] (Effacer la référence) s'affichera alors.
3. Appuyez sur **No** pour utiliser le poids de référence enregistré et passez à l'étape 6.
4. Appuyez sur **Yes** pour établir une nouvelle référence. La balance affiche maintenant [**Pwt** **rEF**].
5. Ajoutez le matériel de référence désiré dans le récipient. Appuyez sur **Yes** pour enregistrer le poids de référence. L'écran affiche 100%.
Remarque: Appuyez sur **Function** pour voir le poids de référence actuel.
6. Remplacez le matériel de référence par le matériel d'échantillon. L'écran affiche le pourcentage de l'échantillon par rapport au poids de référence.
7. Pour supprimer la référence enregistrée, appuyez et maintenez le bouton **Mode** jusqu'à ce que [**Percnt**] apparaisse. Appuyez sur **Yes** lorsque [**Clr** **rEF**] s'affiche.

3.4 Mode contrôle de poids

Ce mode permet de définir des limites inférieures et supérieures de poids pour des processus de contrôle de portions.

1. Appuyez et maintenez le bouton **Mode** jusqu'à ce que [**CHECT**] (contrôle) s'affiche. [**CL.r.r.EF**] (Effacer les références) apparaît alors.
2. Appuyez sur **No** pour utiliser les limites de poids de référence enregistrée et passez à l'étape 5. Remarque: Appuyez sur **Fonction** pour voir les limites inférieures et supérieures de poids de référence.
3. Appuyez sur **Oui** pour définir de nouvelles valeurs de référence. La balance affiche alors [**SEt. L.**]. Appuyez sur **Yes** pour voir la valeur limite "inférieure". Appuyez sur **Oui** pour accepter ou sur **No** pour modifier la valeur limite "inférieure". La valeur enregistrée s'affiche avec le premier chiffre mis en évidence [**000,000**kg]. Appuyez à plusieurs reprises sur **No** jusqu'à ce que le chiffre souhaité apparaisse. Appuyez sur **Oui** pour accepter et passer au chiffre suivant. Répétez l'opération jusqu'à ce que tous les chiffres soient corrects. Appuyez sur **Oui** pour accepter la valeur limite "inférieure", [**SEt. H**] apparaît.
4. Répétez la même procédure pour accepter ou modifier la valeur "supérieure".
5. Placez le matériel de l'échantillon sur le plateau. Le voyant "Accepter" indique maintenant si l'échantillon se situe dans la plage acceptable.
6. Pour supprimer les valeurs de référence enregistrées, appuyez et maintenez le bouton **Mode** jusqu'à ce que [**CHECT**] apparaisse. Appuyez sur **Oui** lorsque [**CL.r.r.EF**] s'affiche.

4. REGLAGES

Le menu utilisateur permet de personnaliser les paramètres de la balance.

Remarque: Des sous-menus additionnels peuvent être disponibles si des options d'interface sont installées. Voir le manuel utilisateur d'interface pour d'autres informations concernant les réglages.

4.1 Navigation de menu

Menu utilisateur:

<i>Sous-menus:</i>	<i>.C.a.l.</i>	<i>.S.e.t.u.p.*</i>	<i>.M.o.d.e.</i>	<i>.U.n.i.t.*</i>	<i>.E.n.d.</i>
<i>Eléments de menu:</i>	<i>Span Lin</i>	<i>b.light A-OFF IR** Filter AZT Stab Stab.C</i>	<i>Count Percnt Check</i>	<i>g kg ...</i>	
	<i>End</i>	<i>End</i>	<i>End</i>	<i>End</i>	

* Remarque: Les réglages disponibles varient en fonction des modèles et des régions

** La disponibilité du capteur infrarouge dépend du modèle et de la région.

Appuyez et maintenez le bouton **Menu** jusqu'à ce que [**MENU**] (Menu) apparaisse. Lorsque vous relâchez le bouton, le premier sous-menu [**C.A.L.**] (Cal) s'affichera.

Appuyez sur **Yes** pour entrer dans le sous-menu affiché ou sur **No** pour accéder au prochain.

La sélection d'un sous-menu entraîne l'affichage du premier élément de menu. Appuyez sur **Yes** pour visualiser les paramètres de l'élément de menu ou sur **No** pour passer à l'élément suivant. Lorsque vous visualiser les paramètres, appuyez sur **Yes** pour les accepter ou sur **No** pour les modifier. Lorsque **[End]** s'affiche, appuyez sur **Yes** pour retourner à la sélection de sous-menus ou sur **No** pour retourner au premier élément du menu actuel.

4.2 Sous-menu Cal

- Portée **[SPAN]** (yes,no) – Lance un processus de calibrage de portée (lecture zéro et portée). Un calibrage de portée est important lors du réglage initial de la balance.
- Lin **[Lin]** (yes,no) – Lance un processus de calibrage de linéarité (lecture zéro, point médian et portée).

4.3 Sous-menu de configuration

- Rétroéclairage **[b.LIGHT]** (on, off, **Auto**) - Lorsque le rétroéclairage est réglé sur « on », la balance sera toujours sur « on ». Lorsque le rétroéclairage est réglé sur « Auto », la balance se met en marche lorsqu'un bouton est enfoncé ou affiche les changements de poids.
- Auto Off **[A-OFF]** (on, **off**) - Lorsque Auto Off est réglé sur « on », la balance s'éteint automatiquement après 5 minutes d'inactivité. L'arrêt automatique est utilisé pour économiser la batterie.
- Capteur IR **[Ir.Func]** (Off, Tare, Function, Print, Zero, **Display**) - Ces paramètres déterminent le rôle du capteur IR. « Zero », « Print », « Function » ou « Tare » permet au capteur IR d'agir de la même façon que le bouton correspondant. « Display » active l'affichage si Display-Auto est réglé. « Off » désactive le capteur.*
- Filter **[Filter]** (L1, **L2**, L3, L4) - Définit le niveau de filtrage du signal

	L1 ----->L4
Stabilité	Inférieure ----- > Supérieure
Temps de stabilisation	Plus rapide ----- > Plus lent

- Auto Zero Tracking **[AZT]** (OFF, 0,5d, 1d, 3d, 5d, 8d, 10d) - Définit la fonctionnalité de suivi automatique du zéro. L'affichage maintiendra zéro jusqu'à ce qu'un changement de division « 0,5d, 1d, 3d, 5d, 8d, 10d » par seconde soit dépassé.
- Stable **[StAb]** (0,5d, **1d**, 2d, 5d) - Définit la variation de la mesure quand le symbole de stabilité reste allumé.
- Stable Compensation **[StAb.C]** (on, off) - Définit la fonctionnalité de suivi de la stabilité automatique. Réglez-le sur « off » pour l'application de dosage ou de remplissage.

Remarque : Les caractères gras représentent toujours la valeur par défaut

*La disponibilité du capteur IR dépend du modèle et de la région.

4.4 Menudes modes

Ce sous-menu permet d'activer des modes afin qu'ils puissent être utilisés par le biais du bouton Mode. Le mode de pesage est toujours activé.

- Comptage de pièces **[Count]** (on, off) – Régler sur on afin que le mode soit activé.
- Pourcentage **[Percnt]** (on, off) - Régler sur on afin que le mode soit activé.
- Contrôle de poids **[CHECK]** (on, off) - Régler sur on afin que le mode soit activé.

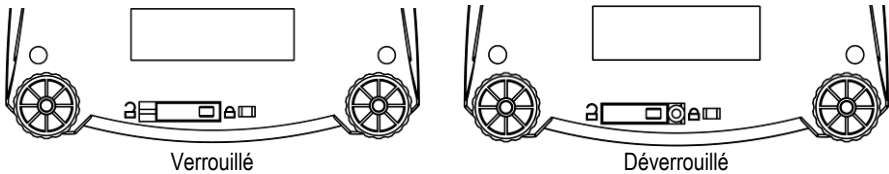
4.5 Menudes unités

Ce sous-menu permet d'activer des unités afin qu'elles soient accessibles à l'aide du bouton **Units**. Les unités dans le menu doivent être réglées sur "on" pour être activées.

Note: Les unités et les modes disponibles peuvent varier d'un modèle à l'autre et en fonctions des lois locales en vigueur.

4.6 Blocage de l'accès aux réglages de la balance

Vous pouvez utiliser le commutateur de verrouillage du menu pour limiter les modifications apportées au menu utilisateur. Sur les modèles homologués, le bouton pourrait définir certains réglages de la balance tel qu'exigé par l'agence d'homologation. Le bouton peut être sécurisé à l'aide de sceaux de papier, joints de fil ou attaches en plastique.



5. MAINTENANCE

5.1 Nettoyage



AVERTISSEMENT : Risque d'électrocution. Débrancher la source d'alimentation avant le nettoyage.

Assurez-vous qu'aucun liquide n'entre à l'intérieur de la machine.



Attention : Ne pas utiliser de solvants, de produits chimiques durs, d'ammoniac, ou de produits abrasifs.

Les parties extérieures de la machines peuvent être nettoyées avec un morceau de tissu et de l'eau ou un détergent léger.

5.2 Dépannage

Le tableau suivant récapitule les problèmes courants ainsi que leurs causes possibles et les solutions. Si le problème persiste, contactez OHAUS ou votre revendeur autorisé.

Symptôme	Cause possible	Solution
Impossible de mettre en marche	La balance n'est pas alimentée en énergie	Vérifier les connexions et la tension
Faible précision	Mauvais calibrage Environnement instable	Effectuer un calibrage Déplacer la balance vers un endroit approprié
Impossible de calibrer	Environnement instable Masse de calibrage incorrecte	Déplacer la balance vers un endroit approprié Utiliser la masse de calibrage correcte
Impossible d'accéder au mode	Mode désactivé	Accéder au menu et active le mode
Impossible d'accéder à l'unité	Unité désactivée	Accéder au menu et activer l'unité
Lo rEF	Le poids de référence est trop faible	Augmenter le poids de référence
rEFErr	Comptage de pièces- poids de l'échantillon < 1 d.	Affiche l'erreur-quitte le mode passe à [CLr.APU] .
Err 3.0	Masse de calibrage incorrecte	Voir section 2,5 pour les masses correctes
Err 4.4	Le tampon RS232 est plein	Mettre le protocole en marche, voir manuel utilisateur de l'interface.
Err 8.1	Portée du zero de démarrage dépassée	Nettoyer le plateau, contrôler le réglage du verrouillage de transport
Err 8.2	Zéro de démarrage inférieur à la portée	Installer le plateau, contrôler le réglage du verrouillage de transport
Err 8.3	Surcharge (>cap+9e)	Le poids dépasse la capacité maximale de la balance
Err 8.4	Charge trop faible	La lecture est inférieure à la portée minimale – veuillez réinstaller le plateau
Err 8.6	Valeur affichée > 999999	Les résultats dépassent la capacité d'affichage
Err 9	Erreur données internes.	Contacteur un agent d'entretien autorisé
Err 13	Echec d'écriture EEPROM.	Contacteur un agent d'entretien autorisé
Err 53	Bloc de données invalide	Contacteur un agent d'entretien autorisé

5.3 Informations concernant l'entretien

Si la section de dépannage ne résout ou ne décrit pas votre problème, contactez votre agent d'entretien OHAUS autorisé. Pour une assistance de service ou un appui technique aux Etats unis, appelez gratuitement le numéro 1-800-526-0659 entre 8h00 et 17h00 EST. Un spécialiste des produits OHAUS sera à votre disposition pour vous assister. Si vous êtes en dehors des Etats unis, veuillez visiter le site www.ohaus.com afin de localiser le bureau OHAUS le plus proche de vous.

6. CARACTERISTIQUES TECHNIQUES

Classement de la machine :

- Degré de pollution 2 ;
- Catégorie d'installation II ;
- Altitude 2000m ;
- Humidité : maximum 80% à des températures allant jusqu'à 31°C, avec un baisse linéaire jusqu'à 50% à 40°C ; sans condensation ;
- Matériel électrique : 12VDC 500mA, à utiliser avec un adaptateur secteur certifié/listé ou sur batterie ;
- Utilisation intérieure uniquement ;
- Température d'utilisation : 0°C à 40°C ;
- Les fluctuations du voltage d'alimentation ne doivent pas dépasser $\pm 10\%$ des valeurs nominales.

6.1 Spécifications

Modèles non approuvés

Modèle	NV123	NV223	NV323	NV222	NV422	NV622	NV1202
Capacité (g)	120	220	320	220	420	620	1200
Lisibilité (g)	0,001	0,001	0,001	0,01	0,01	0,01	0,01
Répétabilité (Std. Dev.)	2d	2d	2d	1d	2d	2d	2d
Linéarité	±3d	±5d	±5d	±2d	±2d	±2d	±3d
Masse étalon du span (non incluse)	100	200	300	200	200	300	1000
Masse étalon de linéarité	50 g, 100 g	100 g, 200 g	150 g, 300 g	100 g, 200 g	200 g, 400 g	300 g, 600 g	500 g, 1 kg
Temps (s) de stabilisation	2,5			1	1,5	1,5	2
Construction	Boîtier en ABS et casserole en acier inoxydable						
Paravent	Oui			Non			
Étalonnage	Étalonnage de span ou de linéarité externe sélectionnable par l'utilisateur / numérique avec poids externe						
Gamme de tare	Pleine capacité par soustraction						
Unités de pesage**	g, kg, N, oz, ozt, dwt, lb, lb.oz, ct, grain, taels (3), Tical, Tola						
Modes d'application	Pesage, comptage de pièces, pesée en pourcentage, pesée de contrôle						
Puissance requise	Adaptateur secteur (inclus) ou 4 piles C (non incluses)						
Durée de vie de la pile	200 heures			270 heures			200 heures
Plage de température indiquée	De 10° C (50° F) à 40° C (104° F) entre 10 % et 85 % d'humidité relative, sans condensation						
Conditions de stockage	De -20° C (-4° F) à 55° C (131° F) entre 10 % et 90 % d'humidité relative, sans condensation						
Communication	RS232, USB ou Ethernet (disponible en tant qu'accessoires)						
Type d'écran	Écran à cristaux liquides (LCD) avec rétroéclairage						
Taille d'écran	0,78 po / 20 mm chiffres						
Taille de la casserole (L x P)	Ø3,7 po / Ø93 mm			Ø5,7 po / Ø145 mm			7,5 x 5,7 po / 190 x 144 mm
Dimensions de la balance (L x P x H)	204 x 230 x 107 mm avec paravent 204 x 230 x 74 mm sans paravent			8 x 9,1 x 2,8 po / 204 x 230 x 70 mm			
Dimensions d'expédition (L x P x H)	15,2 x 13,2 x 6,7 po / 385 x 335 x 170 mm			11,8 x 9,8 x 5,3 po / 300 x 250 x 134 mm			
Poids net	2,2 lb / 1,0 kg			2,2 lb / 1,0 kg			
Poids d'expédition	3,3 lb / 1,5 kg			3,3 lb / 1,5 kg			

Modèle	NV2202	NV3202	NV221	NV621	NV1201	NV2201	NVT2201
Capacité (g)	2200	3200	220	620	1200	2200	2200
Lisibilité (g)	0,01	0,01	0,1	0,1	0,1	0,1	0,1
Répétabilité (Std. Dev.)	2d	2d	1d	1d	1d	1d	1d
Linéarité	±5d	±5d	±2d	±2d	±2d	±2d	±2d
Masse étalon du span (non incluse)	2000	3000	200	300	500	1000	1000
Masse étalon de linéarité	1 kg, 2 kg	1,5 kg, 3 kg	100 g, 200 g	300 g, 600 g	500 g, 1 kg	1 kg, 2 kg	1 kg, 2 kg
Temps (s) de stabilisation	2	2	1	1	1	1	1
Construction	Boîtier en ABS et casserole en acier inoxydable						
Paravent	Non						
Étalonnage	Étalonnage de span ou de linéarité externe sélectionnable par l'utilisateur / numérique avec poids externe						
Gamme de tare	Pleine capacité par soustraction						
Unités de pesage**	g, kg, N, oz, ozt, dwt, lb, lb:oz, ct, grain, taels (3), Tical, Tola						
Modes d'application	Pesage, comptage de pièces, pesée en pourcentage, pesée de contrôle						
Puissance requise	Adaptateur secteur (inclus) ou 4 piles C (non incluses)						
Durée de vie de la pile	200 heures	270 heures					
Plage de température indiquée	De 10° C (50° F) à 40° C (104° F) entre 10 % et 85 % d'humidité relative, sans condensation						
Conditions de stockage	De -20° C (-4° F) à 55° C (131° F) entre 10 % et 90 % d'humidité relative, sans condensation						
Communication	RS232, USB ou Ethernet (disponible en tant qu'accessoires)						
Type d'écran	Écran à cristaux liquides (LCD) avec rétroéclairage						
Taille d'écran	0,78 po / 20 mm chiffres						
Taille de la casserole (L x P)	7,5 x 5,7 po / 190 x 144 mm						9,1 x 6,9 po / 230 x 174 mm
Dimensions de la balance (L x P x H)	8 x 9,1 x 2,8 po / 204 x 230 x 70 mm						9,5 x 9,8 x 2,9 po / 240 x 250 x 74 mm
Dimensions d'expédition (L x P x H)	11,8 x 9,8 x 5,3 po / 300 x 250 x 134 mm						15,2 x 13,2 x 6,7 po / 385 x 335 x 170 mm
Poids net	2,2 lb / 1,0 kg						3,3 lb / 1,5 kg
Poids d'expédition	3,3 lb / 1,5 kg						5,1 lb / 2,3 kg

Modèle	NVT4201	NVT6201	NVT10201	NVT2200	NVT6200	NVT12000	NVT22000
Capacité (g)	4200	6200	10200	2200	6200	12000	22000
Lisibilité (g)	0,1	0,1	0,1	1	1	1	1
Répétabilité (Std. Dev.)	2d	2d	2d	2d	1d	1d	1d
Linéarité	±2d	±2d	±2d	±2d	±2d	±2d	±2d
Masse étalon du span (non incluse)	2000	5000	5000	1000	5000	5000	10000
Masse étalon de linéarité	2 kg, 4 kg	3 kg, 6 kg	5 kg, 10 kg	1 kg, 2 kg	3 kg, 6 kg	5 kg, 10 kg	10 kg, 20 kg
Temps (s) de stabilisation	1,5	1,5	1,5	1	1	1	1
Construction	Boîtier en ABS et casserole en acier inoxydable						
Paravent	Non						
Étalonnage	Étalonnage de span ou de linéarité externe sélectionnable par l'utilisateur / numérique avec poids externe						
Gamme de tare	Pleine capacité par soustraction						
Unités de pesage**	g, kg, N, oz, ozt, dwt, lb, lb:oz, ct, grain, taels (3), Tical, Tola						
Modes d'application	Pesage, comptage de pièces, pesée en pourcentage, pesée de contrôle						
Puissance requise	Adaptateur secteur (inclus) ou 4 piles C (non incluses)						
Durée de vie de la pile	270 heures	200 heures	270 heures				
Plage de température indiquée	De 10° C (50° F) à 40° C (104° F) entre 10 % et 85 % d'humidité relative, sans condensation						
Conditions de stockage	De -20° C (-4° F) à 55° C (131° F) entre 10 % et 90 % d'humidité relative, sans condensation						
Communication	RS232, USB ou Ethernet (disponible en tant qu'accessoires)						
Type d'écran	Écran à cristaux liquides (LCD) avec rétroéclairage						
Taille d'écran	0,78 po / 20 mm chiffres						
Taille de la casserole (L x P)	9,1 x 6,9 po / 230 x 174 mm						
Dimensions de la balance (L x P x H)	9,5 x 9,8 x 2,9 po / 240 x 250 x 74 mm						
Dimensions d'expédition (L x P x H)	15,2 x 13,2 x 6,7 po / 385 x 335 x 170 mm						
Poids net	3,3 lb / 1,5 kg						
Poids d'expédition	5,1 lb / 2,3 kg						

**La disponibilité dépend du modèle et de la région.

Capacité x lisibilité

Modèle	NV123	NV223	NV323	NV222	NV422	NV622	NV1202
Gramme (g)	120 x 0,001	220 x 0,001	320 x 0,001	220 x 0,01	420 x 0,01	620 x 0,01	1200 x 0,01
Kilogramme (kg)	/	/	/	/	/	/	1,2 x 0,00001
Newton (N)	1,17679 x 0,00001	2,15744 x 0,00001	3,1381 x 0,00001	2,1574 x 0,0001	4,1188 x 0,0001	6,0801 x 0,0001	11,7679 x 0,0001
Once (oz)	4,23285 x 0,00005	7,76025 x 0,00005	9,99995 x 0,00005 11,2876 x 0,0001	7,7600 x 0,0005	14,8150 x 0,0005	21,8700 x 0,0005	42,3285 x 0,0005
Once troy (ozt)	3,85805 x 0,00005	7,07315 x 0,00005	10,28820 x 0,00005	7,0730 x 0,0005	13,5030 x 0,0005	19,9335 x 0,0005	38,5805 x 0,0005
Pennyweight (dwt)	77,162 x 0,001	141,463 x 0,001	205,765 x 0,001	141,46 x 0,01	270,07 x 0,01	398,67 x 0,01	771,62 x 0,01
Livre (lb)	/	/	/	/	/	1,36690 x 0,00005	2,64550 x 0,00005
Livre : Once (lb:oz)	/	/	/	/	/	1 lb : 5,8700 oz x 0,0005 oz	2 lb : 10,328 oz x 0,001 oz
Carat (ct)	600,000 x 0,005	999,995/1100,00 x 0,005/0,01	999,995/1600,00 x 0,005/0,01	1100 x 0,05	2100 x 0,05	3100 x 0,05	6000 x 0,05
Grain (gm)	1851,78 x 0,02	3395,12 x 0,02	4938,26 x 0,02	3395,0 x 0,2	6481,6 x 0,2	9568,0 x 0,2	18518,8 x 0,2

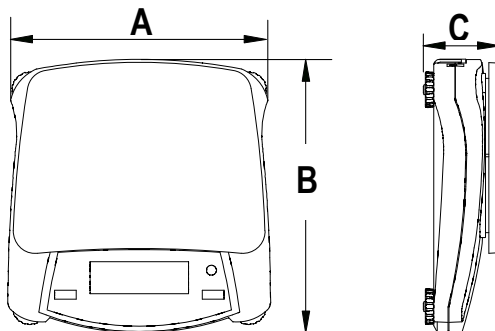
Modèle	NV2202	NV3202	NV221	NV621	NV1201	NV2201	NVT2201
Gramme (g)	2200 x 0,01	3200 x 0,01	220 x 0,1	620 x 0,1	1200 x 0,1	2200 x 0,1	2200 x 0,1
Kilogramme (kg)	2,2 x 0,00001	3,2 x 0,00001	/	/	1,2 x 0,00001	2,2 x 0,00001	2,2 x 0,00001
Newton (N)	21,5744 x 0,0001	31,381 x 0,0001	2,157 x 0,001	6,080 x 0,001	11,768 x 0,001	21,574 x 0,001	21,574 x 0,001
Once (oz)	77,6025 x 0,0005	99,9995/112,876 x 0,005/0,001	7,760 x 0,005	21,870 x 0,005	42,330 x 0,005	77,600 x 0,005	77,600 x 0,005
Once troy (ozt)	70,7315 x 0,0005	99,9995/102,882 x 0,005/0,001	7,070 x 0,005	19,930 x 0,005	38,580 x 0,005	70,730 x 0,005	70,730 x 0,005
Pennyweight (dwt)	1414,63 x 0,01	2057,65 x 0,01	141,5 x 0,1	398,7 x 0,1	771,6 x 0,1	1414,6 x 0,1	1414,6 x 0,1
Livre (lb)	4,85015 x 0,00005	7,05475 x 0,00005	/	1,3670 x 0,0005	2,6455 x 0,0005	4,8500 x 0,0005	4,8500 x 0,0005
Livre : Once (lb:oz)	4 lb : 13,604 oz x 0,001 oz	7 lb : 00,878 oz x 0,001 oz	/	1 lb : 5,870 oz x 0,005 oz	2 lb : 10,330 oz x 0,005 oz	4 lb : 13,600 oz x 0,005 oz	4 lb : 13,600 oz x 0,005 oz
Carat (ct)	9999,95/11000,0 x 0,05/0,1	9999,95/16000,0 x 0,05/0,1	1100 x 0,5	3100 x 0,5	6000 x 0,5	11 000 x 0,5	11 000 x 0,5
Grain (grn)	33951,2 x 0,2	49383,6 x 0,2	3 400 x 2	9570 x 2	18520 x 2	33950 x 2	33950 x 2

Modèle	NVT4201	NVT6201	NVT10201	NVT2200	NVT6200	NVT12000	NVT22000
Gramme (g)	4200 x 0,1	6200 x 0,1	10 000 x 0,1	2200 x 1	6200 x 1	12 000 x 1	22 000 x 1
Kilogramme (kg)	4,2 x 0,0001	6,2 x 0,0001	10 x 0,0001	2,2 x 0,001	6,2 x 0,001	12 x 0,001	22 x 0,001
Newton (N)	41,188 x 0,001	60,801 x 0,001	98,066 x 0,001	21,57 x 0,01	60,8 x 0,01	117,68 x 0,01	215,74 x 0,01
Once (oz)	148,15 x 0,005	218,700 x 0,005	352,735 x 0,005	77,6 x 0,05	218,7 x 0,05	423,3 x 0,05	776,05 x 0,05
Once troy (ozt)	135,035 x 0,005	199,335 x 0,005	321,505 x 0,005	70,75 x 0,05	199,35 x 0,05	385,8 x 0,05	707,3 x 0,05
Pennyweight (dwt)	2700,7 x 0,1	3986,7 x 0,1	6430,1 x 0,1	1 410 x 1	3 990 x 1	7720 x 1	14150 x 1
Livre (lb)	9,2595 x 0,0005	13,6685 x 0,0005	22,0460 x 0,0005	4,85 x 0,005	13,67 x 0,005	26,455 x 0,005	48,5 x 0,005
Livre : Once (lb:oz)	9 lb : 4,15 oz x 0,005 oz	13 lb : 10,700 oz x 0,005 oz	9lb:15,995oz / 22lb:00,74oz x 0,005oz / 0,01oz	4 lb : 13,6 oz x 0,05 oz	13 lb : 10,7 oz x 0,05 oz	26 lb : 7,3 oz x 0,05 oz	48 lb : 8,05 oz x 0,05 oz
Carat (ct)	21 000 x 0,5	31 000 x 0,5	50000,0 x 0,5	11 000 x 5	31 000 x 5	60000 x 5	110000 x 5
Grain (gm)	64820 x 2	95680 x 2	154320 x 2	33960,19 x 20	95680 x 20	185180 x 20	339520 x 20

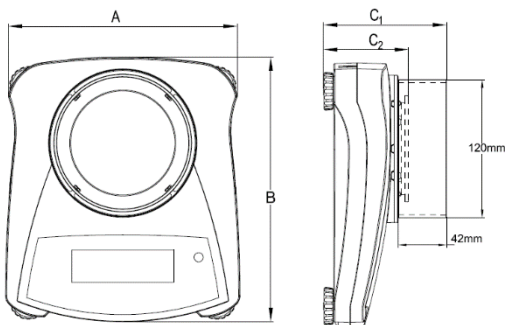
Modèles approuvés

Modèle	NVT1601M	NVT3200M	NVT6400M	NVT16000M
Capacité (g)	1600	3200	6400	16000
Lisibilité (g)	0,5	1	2	5
Intervalle de vérification (g)	0,5	1	2	5
Masse étalon du span (non incluse)	1 kg	2 kg	5 kg	10 kg
Masse étalon de linéarité	1 kg, 1,5 kg	2 kg, 3 kg	3 kg, 6 kg	10 kg, 15 kg
Classe d'approbation	III			
Temps(s) de stabilisation	1 s			
Construction	Boîtier en ABS et casserole en acier inoxydable			
Étalonnage	Étalonnage de span ou de linéarité externe sélectionnable par l'utilisateur / numérique avec poids externe			
Gamme de tare	Pleine capacité par soustraction			
Unités de pesage	g, kg, ct			
Modes d'application	Pesage, pesage en pourcentage, comptage de pièces, pesage de contrôle			
Clavier	4 touches mécaniques, plus 1 capteur sans contact			
Puissance requise	Adaptateur secteur (inclus) ou 4 piles C (non incluses)			
Durée de vie de la pile	270 heures			
Plage de température indiquée	De 0° C (32 ° F) à 40° C (104 ° F) entre 10 % et 85 % d'humidité relative, sans condensation			
Conditions de stockage	De -20° C (-4° F) à 55° C (131° F) entre 10 % et 90 % d'humidité relative, sans condensation			
Communication	RS232, USB ou Ethernet (disponible en tant qu'accessoires)			
Type d'affichage	Écran à cristaux liquides (LCD) avec rétroéclairage			
Taille d'écran	Chiffres de 20 mm			
Taille de la casserole (L x P)	230 x 174 mm			
Dimensions de la balance (L x P x H)	240 x 250 x 74 mm			
Dimensions d'expédition (L x P x H)	385 x 335 x 170 mm			
Poids net	1,5 kg			
Poids d'expédition	2,3 kg			

6.2 Dessins






	A	B	C
NV	204 mm / 8 in.	230 mm / 9 in.	70 mm / 2.8 in.
NVT	240 mm / 9.5 in.	250 mm / 9.8 in.	74 mm / 2.9 in.



	A	B	C1	C2
NV avec paravent	204 mm / 8 po.	230 mm / 9 po.	107 mm / 4,2 po.	74 mm / 2,9 po.

6.3 Conformité

La conformité avec les normes suivantes est indiquée par la marque correspondante sur le produit

Marque	Norme
	Ce produit est conforme aux directives UE2011/65/EU (RoHS), 2014/30/EU (CEM), 2014/35/EU (LVD) et 2014/31/EU (NAWI). La déclaration de conformité UE est disponible en ligne sur le site www.ohaus.com/ce .
	Ce produit est conforme avec la directive UE 2012/19/EU (DEEE). Veuillez éliminer ce produit conformément aux dispositions locales au point de collecte spécifié pour les équipements électriques et électroniques. Pour les instructions d'élimination en Europe, veuillez visiter le site www.ohaus.com/weee .
	EN 61326-1

Instruments de pesage vérifiés en Union Européenne

Lorsque l'instrument est utilisé dans le commerce ou pour une application légalement contrôlée, il doit être réglé, vérifié et scellé conformément à la réglementation locale en matière de poids et mesures. Il est de la responsabilité de l'acheteur de s'assurer que toutes les exigences légales locales sont respectées.

Les instruments de pesage vérifiés sur le lieu de fabrication portent la marque de métrologie supplémentaire suivante sur la plaque signalétique.



Les instruments de pesage qui doivent être vérifiés à deux niveaux ne portent pas de marque de métrologie supplémentaire sur la plaque signalétique. Le second niveau d'évaluation de la conformité doit être réalisé par les autorités compétentes en matière de poids et mesures.

Si la période de validité de la vérification est limitée par la réglementation nationale, l'utilisateur de l'instrument de pesage doit obligatoirement respecter la période de renouvellement de la vérification et informer les autorités en charge des poids et mesures.

Etant donné que les exigences en matière de vérification varient selon les juridictions, l'acheteur doit contacter le bureau en charge des poids et mesures de sa localité s'il n'est pas informé des exigences.

Note FCC

Ce matériel a été testé et respecte les limites des machines digitales de catégorie B telles que décrites dans les Règles de la FCC, partie 15. Des limites sont conçues afin de fournir une protection raisonnable dans le cadre d'une installation résidentielle. Cet équipement génère, utilise, et peut émettre de l'énergie et des ondes radio ; si l'installation et l'utilisation ne se font pas en accord avec les instructions fournies, ces émissions peuvent représenter un risque d'interférence avec les communications radio. Il n'y a aucune garantie contre les interférences dans une installation spécifique. Si des interférences avec la radio ou la télévision étaient observées, par exemple en allumant puis en éteignant l'appareil, il est conseillé à l'utilisateur de résoudre le problème d'une ou plusieurs manières suivantes :

- Déplacer ou réorienter l'antenne.
- Eloigner l'équipement du récepteur.
- Connecter l'équipement à un circuit différent de celui du récepteur.

- Consulter un technicien spécialisé.

Apporter des changements ou des modifications non approuvées par une autorité responsable peuvent annuler la capacité de l'utilisateur à utiliser la machine.

Remarque Industrie Canada

Cet appareil numérique de classe B est conforme à la réglementation canadienne ICES-003.

Enregistrement ISO 9001

Le système de management en vigueur pour la production de cet appareil est certifié ISO 9001.

GARANTIE LIMITEE

Ohaus garantit que ses produits sont exempts de défauts matériels et de fabrication à compter de la date de livraison pendant toute la durée de la garantie. Selon les termes de cette garantie, Ohaus s'engage, sans frais de votre part, à réparer ou, selon son choix, remplacer toutes les pièces jugées défectueuses, sous réserve que le produit soit retourné, frais payés d'avance, à Ohaus. Cette garantie n'entre pas en vigueur si le produit a subi des dommages suite à un accident ou une utilisation erronée, a été exposé à des matériaux radioactifs ou corrosifs, contient des matériaux étrangers ayant pénétré à l'intérieur ou suite à un service ou une modification apportés par des techniciens autres que ceux d'Ohaus. En l'absence d'une carte d'enregistrement de garantie dûment remplie, la période de garantie commence à la date de l'expédition au revendeur agréé. Aucune autre garantie expresse ou implicite n'est offerte par Ohaus Corporation. En aucun cas, Ohaus Corporation ne peut être tenu responsable des dommages indirects.

Dans la mesure où les lois régissant les garanties varient d'un État à l'autre et d'un pays à l'autre, veuillez contacter Ohaus ou votre représentant local agréé Ohaus pour de plus amples informations.



Enregistrement du produit

Protégez votre investissement. Enregistrez votre produit chez votre revendeur OHAUS local. Aux Etats unis et au Canada, enregistrez votre produit en ligne sur le site www.ohaus.com.

1. Einführung

Dieses Handbuch enthält Installations-, Bedienungs- und Wartungsanweisungen für die Navigator™-Serie. Bitte lesen Sie die Bedienungsanleitung vollständig durch, bevor Sie die Waage in Betrieb nehmen.

1.1 Definition der Warnhinweise und Symbole

WARNUNG	Für eine gefährliche Situation mit mittlerem Risiko, die zu Verletzungen oder zum Tod führen kann, wenn sie nicht vermieden wird.
ACHTUNG	Für eine gefährliche Situation mit geringem Risiko, die zu Schäden am Gerät oder am Eigentum oder zu Datenverlust oder Verletzungen führt, wenn sie nicht vermieden wird.
Vorsicht Hinweis	Für wichtige Informationen über das Produkt Für nützliche Informationen über das Produkt Allgemeine Gefährdung
	
	Gefahr durch elektrischen Schlag

1.2 Sicherheitshinweise



ACHTUNG: Lesen Sie alle Sicherheitshinweise, bevor Sie dieses Gerät installieren, anschließen oder warten. Die Nichtbeachtung dieser Warnhinweise kann zu Personen- und/oder Sachschäden führen. Bewahren Sie alle Anweisungen zum späteren Nachschlagen auf.

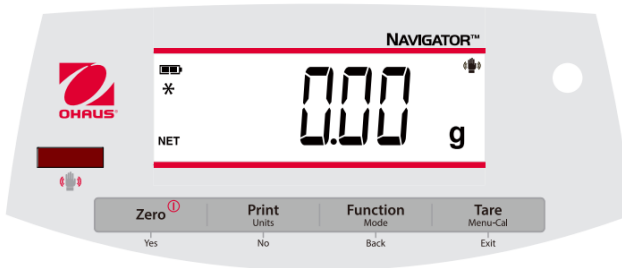
- Vergewissern Sie sich, dass die Eingangsspannung des Netzteils mit der lokalen Stromversorgung kompatibel sind.
- Positionieren Sie das Gerät so, dass das Netzteil leicht von der Steckdose getrennt werden kann.
- Verlegen Sie das Netzkabel so, dass es kein Hindernis oder eine Stolpergefahr darstellen kann.
- Benutzen Sie das Gerät nur unter den in dieser Anleitung genannten Umgebungsbedingungen.
- Das Gerät ist nur für den Innenbereich bestimmt.
- Betreiben Sie das Gerät nicht in gefährlichen oder explosiven Umgebungen.
- Verwenden Sie das Gerät nur an trockenen Orten.
- Verwenden Sie nur zugelassenes Zubehör und Peripheriegeräte.
- Trennen Sie das Gerät zur Reinigung vom Stromnetz.
- Die Wartung darf nur von autorisiertem Personal durchgeführt werden.

1.3 Verwendungszweck

Verwenden Sie das Gerät ausschließlich zum Wiegen, wie in der Bedienungsanleitung beschrieben. Jede andere Art der Nutzung und des Betriebs außerhalb der Grenzen der technischen Spezifikationen ohne schriftliche Zustimmung von OHAUS gilt als nicht bestimmungsgemäß. Dieses Gerät entspricht den geltenden Industriestandards und den anerkannten Sicherheitsvorschriften, kann jedoch eine Gefahr im Gebrauch darstellen. Wird das Gerät nicht gemäß dieser

Betriebsanleitung verwendet, kann der vorgesehene Schutz des Gerätes beeinträchtigt werden und OHAUS übernimmt keine Haftung.

1.4 Kontrolltasten



Kontrolltaste	Funktionen
Zero (Null) ⓪	Kurzes Drücken (wenn eingeschaltet): Setzt die Anzeige auf Null (wenn ausgeschaltet): Schaltet die Waage ein Langes Drücken (wenn eingeschaltet): Schaltet die Waage aus.
Yes (Ja)	Kurzes Drücken (im Menü): Wählt/akzeptiert die angezeigte Einstellung.
Print (drucken)	Kurzes Drücken: Eine Beschreibung der Funktionsweise finden Sie im Schnittstellen-Handbuch.
Units (Einheit) No (Nein)	Langes Drücken: Schaltet durch aktive Einheiten durch Kurzes Drücken (im Menü): Schaltet durch die verfügbaren Einstellungen durch.
Function (Funktion) Mode (Modus) Back (Zurück)	Kurzes Drücken: Wählt die Funktionseinstellung aus Langes Drücken: Wählt den aktiven Modus aus Kurzes Drücken (im Menü): Rückkehr zu den vorherigen Einstellungen
Tara Menu-Cal Exit (Ende/Zurück)	Kurzes Drücken: Einen Eigengewicht-Wert eingeben / löschen Langes Drücken: Öffnet das Benutzermenü Kurzes Drücken (im Menü): Schnelles Verlassen des Benutzermenüs
IR Sensor*	IR-Sensoren können so programmiert werden, dass sie als "berührungslose" Tasten fungieren. Für die verfügbaren Einstellungen siehe Abschnitt 4,3 des Benutzermenüs.

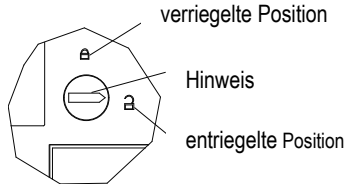
Die IR-Sensoren können durch eine Hand oder ein anderes Objekt aktiviert werden, das sich etwa 12 mm (½ Zoll) über den Sensorpositionen befindet. Der Aktivierungsabstand des Sensors variiert je nach der Reflexionseigenschaft des Objekts. Wenn aufgrund von besonderen Situationen unerwünschte Aktivierungen auftreten, können die Sensoren abgeschaltet werden.

* Die Verfügbarkeit des IR-Sensors hängt von Modell und Region ab.

2. AUFBAU

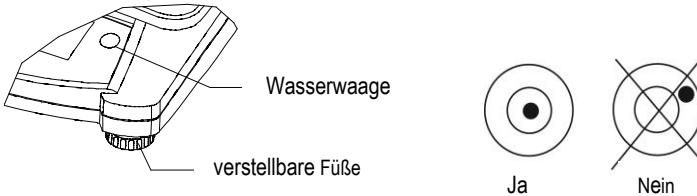
2.1 Transportsicherung

Die Transportsicherung befindet sich unter der Waage. Drehen Sie den Zeiger in die entriegelte Position.



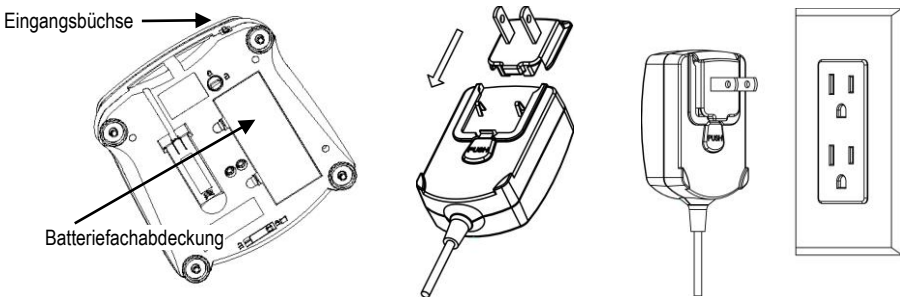
2.2 Bedienstandort

Verwenden Sie die Waage auf einem festen, ebenmäßigen Untergrund. Vermeiden Sie Orte mit übermäßigem Luftstrom, Vibrationen, Wärmequellen oder schnellen Temperaturänderungen. Stellen Sie die Nivellierfüße so ein, dass die Blase im Kreis zentriert ist.



2.3 Strom

Das Netzteil wird zur Stromversorgung der Waage verwendet, wenn keine Batterie benötigt wird.



Verbinden Sie den Netzstecker mit der Eingangsbüchse.

Stecken Sie den Netzstecker in die Steckdose.

Batterieeinbau (ohne optionale interne Batterie):

Entfernen Sie den Batteriedeckel und legen Sie 4 Batterien ein. Achten Sie auf die Polaritätsanzeigen, wie im Batterie-Fach gezeigt.

Optionaler wiederaufladbarer Akku*

Waagen mit optionalem Akku müssen 12 Stunden lang aufgeladen werden, bevor die Waage zum ersten Mal im Akkubetrieb benutzt werden kann. Der Akku ist vor Überladung geschützt, so dass die Waage an das Stromnetz angeschlossen bleiben kann. Wenn der Akku vollständig geladen ist, hört die Batterieanzeige im Display auf zu blinken.

Um den Akku zu entfernen und C-Zellen-Batterien einzubauen, lesen Sie den Abschnitt „Wiederaufladbarer Akku“ in der Bedienungsanleitung für eine Schritt-für-Schritt-Anleitung sowie eine Entsorgungsanleitung.



ACHTUNG: Es besteht Explosionsgefahr, wenn der Akku durch einen falschen Batterietyp ersetzt oder nicht richtig angeschlossen wird.

Hinweis:

Nach dem Einschalten wird empfohlen, vor der Verwendung die Waage für mindestens 5 Minuten warm werden zu lassen.

* Die Verfügbarkeit des IR-Sensors hängt vom Modell und der Region ab.

2.4 Erstkalibrierung

Bei der Erstinstallation sollte die Waage kalibriert werden, um genaue Ergebnisse zu gewährleisten.

Halten Sie **Menu-Cal** gedrückt, bis [**MENU**] (Menü) angezeigt wird. Wenn Sie die Taste loslassen, erscheint auf der Anzeige [**C.A.L.**]. Drücken Sie zum Bestätigen auf **Yes (Ja)**; [**SPAN**] wird dann angezeigt. Drücken Sie erneut **Yes (Ja)**, um die Bereichskalibrierung zu starten. [- - -] blinkt, während der Nullwert gespeichert wird. Anschließend zeigt die Anzeige den Wert des Justiergewichts an. Legen Sie die angegebene Kalibriermasse auf die Waagschale. [- - -] blinkt, während der Messwert gespeichert wird. Die Waage kehrt in den vorherigen Anwendungsmodus zurück und ist betriebsbereit.

3. BEDIENUNG

Alle Modi außer zum Wiegen müssen im Benutzermenü aktiviert werden, bevor sie verfügbar sind, siehe Abschnitt 4.

3.1 Gewichts-Modus

1. Halten Sie die Taste **Mode** gedrückt, bis [**WEIGH**] (**Wiegen**) angezeigt wird.
2. Stellen Sie bei Bedarf einen leeren Behälter auf die Waagschale und drücken Sie **Tara**.
3. Fügen Sie Material in den Behälter. Auf der Anzeige erscheint das Gewicht des Materials.

3.2 Stückzahlmodus

Dieser Modus zählt große Stückzahlen basierend auf dem Gewicht einer Referenzzählung.

1. Stellen Sie einen leeren Behälter auf die Pfanne und drücken Sie **Tara (Eigengewicht)**.
2. Halten Sie **Mode** gedrückt, bis [**Count**] (**Zählen**) angezeigt wird. [**CLr.APW**] (Clear Average Piece Weight – durchschnittliches Stückzahlgewicht) wird dann angezeigt.
3. Drücken Sie **No (Nein)**, um die gespeicherte APW zu verwenden. Fahren Sie mit Schritt 6 fort.
4. Drücken Sie **Yes (Ja)**, um eine APW einzurichten. Die Waage zeigt dann den gespeicherten Probenumfang an, z.B. [Put 10] (Legen Sie 10 Stück ein). Drücken Sie **No (Nein)** oder **Back (Zurück)**, um die Auswahl umzuschalten (5, 10, 20, 50 oder 100).
5. Legen Sie die angegebene Stückzahl auf die Schale und drücken Sie dann **Yes (Ja)**, um die APW zu berechnen. Auf der Anzeige erscheint die Stückzahl. Hinweis: Drücken Sie die Taste **Function (Funktion)**, um die aktuelle APW anzuzeigen.
6. Fügen Sie weitere Stücke hinzu, bis die gewünschte Anzahl erreicht ist.
7. Um die gespeicherte APW zu löschen, halten Sie den **Modus** gedrückt, bis [**Count**] angezeigt wird. Drücken Sie **Yes (Ja)**, wenn [**CLr.APW**] angezeigt wird.

3.3 Prozent-Modus

In diesem Modus wird das Gewicht einer Probe als Prozentsatz eines Referenzgewichts gemessen.

1. Stellen Sie einen leeren Behälter auf die Schale und drücken Sie **Tara**.
2. Halten Sie die Taste **Mode (Modus)** gedrückt, bis [**Percnt**] angezeigt wird. [**CLr.ref**] (klare Referenz) wird dann angezeigt.
3. Drücken Sie **No (Nein)**, um das gespeicherte Referenzgewicht zu verwenden und fahren Sie mit Schritt 6 fort.
4. Drücken Sie **Yes (Ja)**, um eine neue Referenz zu erstellen. Der Saldo zeigt nun [Put.ref] an.
5. Fügen Sie das gewünschte Referenzmaterial in den Behälter. Drücken Sie **Yes (Ja)**, um das Referenzgewicht zu speichern. Auf der Anzeige erscheint 100%.
Hinweis: Drücken Sie die Taste **Function (Funktion)**, um das aktuelle Referenzgewicht anzuzeigen.
6. Ersetzen Sie das Referenzmaterial durch das Probenmaterial. Auf der Anzeige erscheint der Prozentsatz der **Probe** im Vergleich zum Referenzgewicht.
7. Um die gespeicherte Referenz zu löschen, halten Sie den **Modus** gedrückt, bis [**Percnt**] angezeigt wird. Drücken Sie **Yes (Ja)**, wenn [**Clr.ref**] angezeigt wird.

3.4 Kontrollwiegemodus

Dieser Modus setzt niedrige und hohe Gewichtsgrenzen für Portionskontrollprozesse.

1. Drücken und halten Sie **Mode** (Modus) gedrückt, bis **[CHECK]** (prüfen) angezeigt wird. **[CLEAR]** (Referenzen löschen) wird dann angezeigt.
2. Drücken Sie **No (Nein)**, um die gespeicherten Referenzgewichtsgrenzen zu verwenden und fahren Sie mit Schritt 5 fort.
Hinweis: Drücken Sie die Taste **Function (Funktion)**, um die Grenzen für das niedrige und hohe Referenzgewicht anzuzeigen.
3. Drücken Sie **Yes (Ja)**, um neue Referenzwerte festzulegen. Auf der Waage erscheint dann **[SEE Lo]**. Drücken Sie **Yes (Ja)**, um den Grenzwert "Niedrig" anzuzeigen. Drücken Sie zum Akzeptieren **Yes (Ja)** oder **No (Nein)**, um den Grenzwert "Niedrig" zu bearbeiten. Der gespeicherte Wert wird dann mit der ersten Ziffern hervorgehoben **[000,000 kg]** angezeigt. Drücken Sie wiederholt auf **No (Nein)**, bis die gewünschte Nummer angezeigt wird. Drücken Sie **Yes (Ja)**, um die nächste Ziffer zu bestätigen und zu markieren. Wiederholen Sie dies, bis alle Ziffern korrekt sind. Drücken Sie **Yes (Ja)**, um den "niedrigen" Grenzwert zu übernehmen, **[SEE H.]** wird angezeigt.
4. Wiederholen Sie den gleichen Vorgang, um den "hohen" Wert zu übernehmen oder zu bearbeiten.
5. Legen Sie das Probenmaterial auf die Waagschale. Die Anzeige "Accept" (akzeptieren) zeigt nun an, dass sich das Probengewicht im zulässigen Bereich befindet.
6. Um die gespeicherten Referenzwerte zu löschen, halten Sie den **Mode** (Modus) gedrückt, bis **[CHECK]** angezeigt wird. Drücken Sie Ja, wenn **[CLEAR]** angezeigt wird.

4. EINSTELLUNGEN

Das Benutzermenü ermöglicht die Anpassung der Waageneinstellungen.

Hinweis: Zusätzliche Untermenüs sind verfügbar, sofern Schnittstellenoptionen installiert sind. Weitere Informationen zu den zusätzlichen Einstellungen finden Sie im Benutzerhandbuch der Benutzeroberfläche.

4.1 Menüführung

Benutzermenü:

Untermenüs:	.C.a.l.	.S.e.t.u.p.*	.M.o.d.e.	.U.n.i.t.*	.E.n.d.
Menüpunkt:	Span Lin	b.light A-OFF IR** Filter AZT Stab Stab.C	Count Percnt Check	g kg ...	
	End	End	End	End	

* Hinweis: Die verfügbaren Einstellungen variieren je nach Modell und Region.

** Die Verfügbarkeit des IR-Sensors hängt von Modell und Region ab.

Halten Sie die Taste **Menu** (Menü) gedrückt, bis [**ME**] (Menü) angezeigt wird. Nach dem Loslassen wird das erste Untermenü [**CL**] (Cal) angezeigt.

Drücken Sie **Yes (Ja)**, um in das angezeigte Untermenü zu gelangen, oder drücken Sie **No (Nein)**, um zum nächsten zu gelangen.

Bei Auswahl eines Untermenüs wird der erste Menüpunkt angezeigt. Drücken Sie **Yes (Ja)**, um die Einstellung des Menüpunkts anzuzeigen, oder drücken Sie **No (Nein)**, um zum nächsten Menüpunkt zu gelangen. Wenn Sie die Einstellung ansehen, drücken Sie **Yes (Ja)**, um die Einstellung zu übernehmen, oder **No (Nein)**, um die Einstellung zu ändern. Wenn [Ende] angezeigt wird, drücken Sie **Yes (Ja)**, um zu den Untermenüauswahlmöglichkeiten zurückzukehren, oder **No (Nein)**, um zum ersten Element im aktuellen Menü zurückzukehren.

4.2 Cal-Untermenü

- Span[**SPAN**] (ja, nein) - Leitet eine Spannkalisierung ein (Nullpunkt und Spanne). Bei der ersten Inbetriebnahme der Waage ist eine Spannkalisierung wichtig.
- Lin [**Lin**] (ja, nein) - Leitet eine Linearitätskalibrierung ein (Nullpunkt, Mittelpunkt und Spanne).

4.3 Untermenü einstellen

- Hintergrundbeleuchtung [**b.L. ON/OFF**] (on,off,**Auto**)- Wenn das Gegenlicht auf "an" steht, ist die Waage immer "an". Wenn die Hintergrundbeleuchtung auf "Auto" eingestellt ist, schaltet sich die Waage ein, wenn eine Taste gedrückt wird oder sich das Anzeigegewicht ändert.
- Auto Aus [**Auto OFF**] (on, **off**) - Wenn Auto Off auf "on" eingestellt ist, schaltet sich die Waage nach 5 Minuten Inaktivität automatisch aus. Die Abschaltautomatik wird verwendet, um Batteriestrom zu sparen.
- IR-Sensor [**IR.Func**] (Off, Tare, Function, Print, Zero, **Display**) - Diese Einstellungen bestimmen die Rolle des IR-Sensors. Mit "Null", "Drucken", "Funktion" oder "Tarieren" verhält sich der IR-Sensor genauso wie die entsprechende Taste. "Anzeige" aktiviert die Anzeige, wenn "Anzeige-Auto" eingestellt ist. "Aus" deaktiviert den Sensor.*

Filter [**F.LtEr**] (L1,L2,L3,L4) – den Bereich der Signalfilterung einstellen

	L1----->L4
Stabilität	Weniger ----- > Grosser
Stabilisierungszeit	Schnellere ----- > Langsamer

- Automatische Nullpunktsuche [**Auto**] (OFF,0.5d,1d,3d,5d,8d,10d) – Stellen Sie die automatische Nullverfolgungsfunktion ein. Die Anzeige bleibt so lange auf Null, bis eine Änderung von "0,5d,1d,3d,5d,8d,10d" Teilungen pro Sekunde überschritten wird.
- Stabil [**StAb**] (0.5d,1d,2d,5d) – Stellen Sie den Betrag des Messwerts ein, der variieren kann, während das Stabilitätssymbol eingeschaltet bleibt.
- Stabiler Ausgleich [**StAb.C**] (on, off) - Stellen Sie die automatische stabile Verfolgungsfunktionalität ein. Stellen Sie diese für Dosier- oder Abfüllanwendungen "aus".

Hinweis: Das Fettgedruckte stellt immer den werkseitigen Standardwert dar.

* Verfügbarkeit des IR-Sensors ist abhängig von Modell und Region.

4.4 Modus-Menü

In diesem Untermenü werden die Modi aktiviert, so dass sie für die Verwendung mit der Modustaste

zur Verfügung stehen. Der Gewichtsmodus ist immer aktiv.

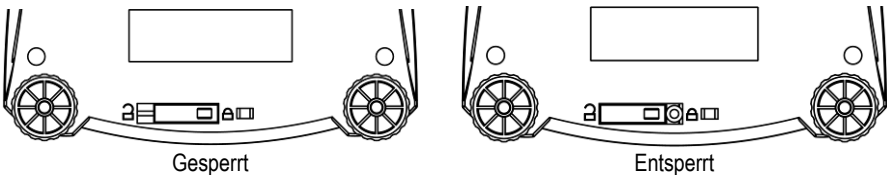
- Stückzahl [**COUNT**] (an, aus) – Eingestellt, damit der Modus aktiv ist.
- Prozent [**PERCENT**] (an, aus) - Eingestellt, damit der Modus aktiv ist.
- Kontrollwiegen [**CHECK**] (an, aus) - Eingestellt, damit der Modus aktiv ist.

4.5 Einheiten-Menü

In diesem Untermenü werden Einheiten (**Units**) aktiviert, so dass sie über die Einheiten der Schaltfläche zugänglich sind. Die Einheiten im Menü müssen eingeschaltet sein, um aktiv zu sein. Hinweis: Verfügbare Einheiten und Modi variieren je nach Modell und örtlichen Vorschriften.

4.6 Sperren des Zugangs zu den Waageeinstellungen

Sie können den Schalter Menü sperren verwenden, um Änderungen am Benutzermenü zu begrenzen. Der Wechsel bei typspezifischen Modellen kann einige Waageeinstellungen vornehmen, die von der Genehmigungseinheit gefordert werden. Der Schalter kann mit Papierdichtungen, Drahtdichtungen oder Kunststoffbändern gesichert werden.



5. WARTUNG

5.1 Reinigung



WARNUNG: Gefahr durch Stromschlag. Trennen Sie das Gerät vor der Reinigung vom Stromnetz.

Achten Sie darauf, dass keine Flüssigkeit in das Innere des Gerätes gelangt.



Achtung: Verwenden Sie keine Lösungsmittel, aggressive Chemikalien, Ammoniak oder scheuernde Reinigungsmittel.

Die Außenflächen des Gerätes können mit einem feuchten Tuch und einem milden Reinigungsmittel gereinigt werden.

5.2 Fehlerbehebung

Die folgende Tabelle listet häufige Probleme sowie mögliche Ursachen und Abhilfemaßnahmen auf. Wenn das Problem weiterhin besteht, wenden Sie sich an OHAUS oder Ihren autorisierten Händler.

Problem	Mögliche Ursachen	Abhilfe
Kann nicht eingeschaltet werden	Kein Strom für die Waage	Überprüfen Sie Anschlüsse und Spannung.
Ungenauigkeit	Nicht korrekte Kalibrierung Instabile Umstände	Kalibrierung durchführen. Bringen Sie die Waage an einen geeigneten Ort.
Kalibriert nicht	Instabile Umstände Unkorrektes Kalibriergewicht	Waage an einen geeigneten Ort bringen. Korrektes Kalibriergewicht verwenden.
Keinen Modus-Zugang	Modus ist nicht eingestellt	Menü aufrufen und Modus aktivieren
Keinen Zugang zur Einheit	Einheit ist nicht eingestellt	Menü aufrufen und Gerät aktivieren
Lo rEF	Bezugsgewicht ist zu niedrig	Referenzgewicht erhöhen.
rEF Err	Stückzählung - Probegewicht <1d.	Zeigt einen Fehler an - beendet den Modus oder geht zu [Clr.ApU].
Err 3.0	Falsches Kalibriergewicht	Siehe Abschnitt 2,5 für korrekte Gewichte.
Err 4.4	Der RS232-Puffer ist voll.	Abnahme einrichten, siehe Benutzerhandbuch der Benutzeroberfläche.
Err 8.1	Einschalten des Nullbereichs überschritten	Schale leeren, Einstellung der Versandsperrüberprüfen
Err 8.2	Einschalten des Nullpunktes unter dem Messbereich	Wanne installieren, Einstellung der Versandsperrüberprüfen
Err 8.3	Überlast (>Cap+9e)	Die Last überschreitet die maximale Kapazität der Waage.
Err 8.4	Unterlast	Lesen unter dem Mindestbereich - Schale wieder montieren.
Err 8.6	Angezeigter Wert >999999999	Das Ergebnis übersteigt die Anzeigemöglichkeiten.
Err 9	Interner Datenfehler	Wenden Sie sich an einen autorisierten Kundendienst.
Err 13	EEPROM kann nicht geschrieben werden.	Wenden Sie sich an einen autorisierten Kundendienst.
Err 53	Ungültige Prüfsummendaten	Wenden Sie sich an einen autorisierten Kundendienst.

5.3 Service-Informationen

Wenn der Fehlerbehebungsabschnitt Ihr Problem nicht löst oder beschreibt, wenden Sie sich an Ihren autorisierten OHAUS-Kundendienst. Für Service- oder Technikunterstützung in den Vereinigten Staaten rufen Sie zwischen 8:00 und 17:00 Uhr EST unter der gebührenfreien Nummer 1-800-526-0659 an. Ein OHAUS-Spezialist für den Produktservice steht Ihnen zur Verfügung. Außerhalb der USA besuchen Sie bitte unsere Website www.ohaus.com, um das OHAUS-Büro in Ihrer Nähe zu finden.

6. TECHNISCHE DATEN

Gerätebewertungen:

- Verschmutzungsgrad 2;
- Installationskategorie II,
- Höhe 2000 m,
- Luftfeuchtigkeit: Maximal 80% für Temperaturen bis 31°C, linear abnehmend bis 50% bei 40°C; nicht kondensierend;
- Elektrische Versorgung: Nennwert 12VDC 500mA zur Verwendung mit einem zertifizierten/gelisteten Netzteil oder batteriebetrieben;
- Nur für den Innenbereich geeignet;
- Temperaturbereich: 10°C to 40°C, Genehmigte Modelle (M) 0°C to 40°C
- Die Schwankungen der Netzspannung dürfen $\pm 10\%$ der Nennspannung nicht überschreiten.

6.1 Technische Daten

Nicht zugelassene Modelle

Modell	NV123	NV223	NV323	NV222	NV422	NV622	NV1202
Fassungsvermögen (g)	120	220	320	220	420	620	1200
Lesbarkeit (g)	0,001	0,001	0,001	0,01	0,01	0,01	0,01
Wiederholbarkeit (Std. Dev.)	2d	2d	2d	1d	2d	2d	2d
Linearität	±3d	±5d	±5d	±2d	±2d	±2d	±3d
Spannweiten-Kalibriermasse (nicht eingeschlossen).	100	200	300	200	200	300	1000
Linearität Kalibriermasse	50 g, 100 g	100 g, 200 g	150 g, 300 g	100 g, 200 g	200 g, 400 g	300 g, 600 g	500 g, 1 kg
Stabilisierungszeit (s)	2,5			1	1,5	1,5	2
Konstruktion	ABS-Gehäuse & Edelstahlwanne						
Windschutz	Ja			Nein			
Kalibrierung	Vom Benutzer wählbare externe Spanne oder Linearitätskalibrierung/Digital mit externem Gewicht						
Tarabereich	Volle Kapazität durch Subtraktion						
Wägeeinheiten**	g, kg, N, oz, ozt, dwt, lb, lb.oz, ct, Getreide, tael, Tical, Tola						
Anwendungsmodi	Wiegen, Teilezählen, Prozentwiegen, Kontrollwiegen						
Leistungsbedarf	Netzadapter (enthalten) oder 4 C-Batterien (nicht enthalten)						
Typische Batterielebensdauer	200 Stunden			270 Stu+L18nden			200 Stunden
Spezifizierter Temperaturbereich	10°C (50°F) bis 40°C (104°F) bei 10% bis 85% relativer Luftfeuchtigkeit, nicht kondensierend						
Lagerbedingungen	-20°C (-4°F) bis 55°C (131°F) bei 10% bis 90% relativer Luftfeuchtigkeit, nicht kondensierend						
Kommunikation	RS232, USB oder Ethernet (als Zubehör erhältlich)						
Anzeige-Typ	Flüssigkristallanzeige (LCD) mit Hintergrundbeleuchtung						
Größe der Anzeige	0,78 in / 20 mm-Zifferns						
Schalengröße (B x T)	Ø3,7 in / Ø93 mm			Ø5,7 in / Ø145 mm			7,5 x 5,7 in / 190 x 144 mm
Balance-Dimensionen	204 x 230 x 107 mm mit Windschutz 204 x 230 x 74 mm ohne Windschutz			8 x 9,1 x 2,8 in / 204 x 230 x 70 mm			
(B x T x H)".	15,2 x 13,2 x 6,7 in / 385 x 335 x 170 mm			11,8 x 9,8 x 5,3 in / 300 x 250 x 134 mm			
Versand-Abmessungen (B x T x H).	2,2 lb / 1,0 kg			2,2 lb / 1,0 kg			
Nettogewicht	3,3 lb / 1,5 kg			3,3 lb / 1,5 kg			

Modell	NV2202	NV3202	NV221	NV621	NV1201	NV2201	NVT2201
Fassungsvermögen (g)	2200	3200	220	620	1200	2200	2200
Lesbarkeit (g)	0,01	0,01	0,1	0,1	0,1	0,1	0,1
Wiederholbarkeit (Std. Dev.)	2d	2d	1d	1d	1d	1d	1d
Linearität	±5d	±5d	±2d	±2d	±2d	±2d	±2d
Spannweiten-Kalibriermasse (nicht eingeschlossen).	2000	3000	200	300	500	1000	1000
Linearität Kalibriermasse	1 kg, 2 kg	1,5 kg, 3 kg	100 g, 200 g	300 g, 600 g	500 g, 1 kg	1 kg, 2 kg	1 kg, 2 kg
Stabilisierungszeit (s)	2	2	1	1	1	1	1
Konstruktion	ABS-Gehäuse & Edelstahlwanne						
Windschutz	Nein						
Kalibrierung	Vom Benutzer wählbare externe Spanne oder Linearitätskalibrierung/Digital mit externem Gewicht						
Tarabereich	Volle Kapazität durch Subtraktion						
Wägeeinheiten**	g, kg, N, oz, ozt, dwt, lb, lb:oz, ct, Getreide, taels (3), Tical, Tola						
Anwendungsmodi	Wiegen, Teilezählen, Prozentwiegen, Kontrollwiegen						
Leistungsbedarf	Netzadapter (enthalten) oder 4 C-Batterien (nicht enthalten)						
Typische Batterielebensdauer	200 Stunden		270 Stunden				
Spezifizierter Temperaturbereich	10°C (50°F) bis 40°C (104°F) bei 10% bis 85% relativer Luftfeuchtigkeit, nicht kondensierend						
Lagerbedingungen	-20°C (-4°F) bis 55°C (131°F) bei 10% bis 90% relativer Luftfeuchtigkeit, nicht kondensierend						
Kommunikation	RS232, USB oder Ethernet (als Zubehör erhältlich)						
Anzeige-Typ	Flüssigkristallanzeige (LCD) mit Hintergrundbeleuchtung						
Größe der Anzeige	0,78 in / 20 mm-Ziffern						
Schalengröße (B x T)	7,5 x 5,7 in / 190 x 144 mm						9,1 x 6,9 in / 230 x 174 mm
Balance-Dimensionen	8 x 9,1 x 2,8 in / 204 x 230 x 70 mm						9,5 x 9,8 x 2,9 in / 240 x 250 x 74 mm
(B x T x H)".	11,8 x 9,8 x 5,3 in / 300 x 250 x 134 mm						15,2 x 13,2 x 6,7 in / 385 x 335 x 170 mm
Versand-Abmessungen (B x T x H).	2,2 lb / 1,0 kg						3,3 lb / 1,5 kg
Nettogewicht	3,3 lb / 1,5 kg						5,1 lb / 2,3 kg

Modell	NVT4201	NVT6201	NVT10201	NVT2200	NVT6200	NVT12000	NVT22000
Fassungsvermögen (g)	4200	6200	10200	2200	6200	12000	22000
Lesbarkeit (g)	0,1	0,1	0,1	1	1	1	1
Wiederholbarkeit (Std. Dev.)	2d	2d	2d	2d	1d	1d	1d
Linearität	±2d	±2d	±2d	±2d	±2d	±2d	±2d
Spannweiten-Kalibriermasse (nicht eingeschlossen).	2000	5000	5000	1000	5000	5000	10000
Linearität Kalibriermasse	2 kg, 4 kg	3 kg, 6 kg	5 kg, 10 kg	1 kg, 2 kg	3 kg, 6 kg	5 kg, 10 kg	10 kg, 20 kg
Stabilisierungszeit (s)	1,5	1,5	1,5	1	1	1	1
Konstruktion	"ABS-Gehäuse & Edelstahlwanne "						
Windschutz	Nein						
Kalibrierung	"Vom Benutzer wählbare externe Spanne oder Linearitätskalibrierung/Digital mit externem Gewicht "						
Tarabereich	Volle Kapazität durch Subtraktion						
Wägeeinheiten**	g, kg, N, oz, ozt, dwt, lb, lb:oz, ct, Getreide, tael (3), Tical, Tola						
Anwendungsmodi	Wiegen, Teilezählen, Prozentwiegen, Kontrollwiegen						
Leistungsbedarf	Netzadapter (enthalten) oder 4 C-Batterien (nicht enthalten)						
Typische Batterielebensdauer	270 Stunden	200 Stunden	270 Stunden				
Spezifizierter Temperaturbereich	10°C (50°F) bis 40°C (104°F) bei 10% bis 85% relativer Luftfeuchtigkeit, nicht kondensierend						
Lagerbedingungen	-20°C (-4°F) bis 55°C (131°F) bei 10% bis 90% relativer Luftfeuchtigkeit, nicht kondensierend						
Kommunikation	RS232, USB oder Ethernet (als Zubehör erhältlich)						
Anzeige-Typ	Flüssigkristallanzeige (LCD) mit Hintergrundbeleuchtung						
Größe der Anzeige	0,78 in / 20 mm-Ziffern						
Schalengröße (B x T)	9,1 x 6,9 in / 230 x 174 mm						
Balance-Dimensionen	9,5 x 9,8 x 2,9 in / 240 x 250 x 74 mm						
(B x T x H)".	15,2 x 13,2 x 6,7 in / 385 x 335 x 170 mm						
Versand-Abmessungen (B x T x H).	3,3 lb / 1,5 kg						
Nettogewicht	5,1 lb / 2,3 kg						

** Die Verfügbarkeit ist abhängig von Modell und Region.

Kapazität x Lesbarkeit

Modell	NV123	NV223	NV323	NV222	NV422	NV622	NV1202
Gramm (g)	120 x 0,001	220 x 0,001	320 x 0,001	220 x 0,01	420 x 0,01	620 x 0,01	1200 x 0,01
Kilogramm (kg)	/	/	/	/	/	/	1,2 x 0,00001
Newton (N)	1,17679 x 0,00001	2,15744 x 0,00001	3,1381 x 0,00001	2,1574 x 0,0001	4,1188 x 0,0001	6,0801 x 0,0001	11,7679 x 0,0001
Unze (oz)	4,23285 x 0,00005	7,76025 x 0,00005	9,99995x0,0005	7,7600 x 0,00005	14,8150 x 0,00005	21,8700 x 0,00005	42,3285 x 0,00005
Unze Troja (ozt)	3,85805 x 0,00005	7,07315 x 0,00005	10,28820 x 0,00005	7,0730 x 0,00005	13,5030 x 0,00005	19,9335 x 0,00005	38,5805 x 0,00005
Pfenniggewicht (dwt)	77,162 x 0,001	141,463 x 0,001	205,765 x 0,001	141,46 x 0,01	270,07 x 0,01	398,67 x 0,01	771,62 x 0,01
Pfund (lb)	/	/	/	/	/	1,36690 x 0,00005	2,64550 x 0,00005
Pfund:Unze (lb:oz)	/	/	/	/	/	1lb:5,8700oz x 0,0005 oz	2lb:10,328oz x 0,001oz
Karat (ct)	600,000 x 0,005	999,995/1100,00 x 0,005/0,01	999,995/1600 x 0,005/0,01	1100 x 0,05	2100 x 0,05	3100 x 0,05	6000 x 0,05
Getreide (grn)	1851,78 x 0,02	3395,12 x 0,02	4938,26 x 0,02	3395,0 x 0,2	6481,6 x 0,2	9568,0 x 0,2	18518,8 x 0,2

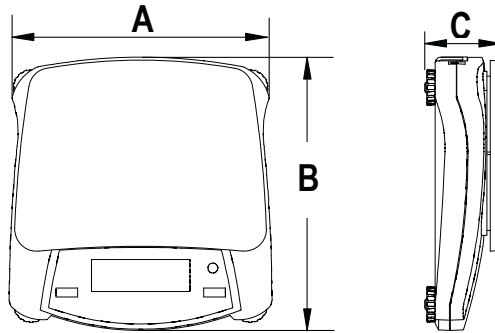
Modell	NV2202	NV3202	NV221	NV621	NV1201	NV2201	NVT2201
Gramm (g)	2200 x 0,01	3200 x 0,01	220 x 0,1	620 x 0,1	1200 x 0,1	2200 x 0,1	2200 x 0,1
Kilogramm (kg)	2,2 x 0,00001	3,2 x 0,00001	/	/	1,2 x 0,0001	2,2 x 0,00001	2,2 x 0,00001
Newton (N)	21,5744 x 0,0001	31,381 x 0,0001	2,157 x 0,001	6,080 x 0,001	11,768 x 0,001	21,574 x 0,001	21,574 x 0,001
Unze (oz)	77,6025 x 0,0005	99,9995/112,876 x 0,005/0,001	7,760 x 0,005	21,870 x 0,005	42,330 x 0,005	77,600 x 0,005	77,600 x 0,005
Unze Troja (ozt)	70,7315 x 0,0005	99,9995/102,882 x 0,005/0,001	7,070 x 0,005	19,930 x 0,005	38,580 x 0,005	70,730 x 0,005	70,730 x 0,005
Pfenniggewicht (dwt)	1414,63 x 0,01	2057,65 x 0,01	141,5 x 0,1	398,7 x 0,1	771,6 x 0,1	1414,6 x 0,1	1414,6 x 0,1
Pfund (lb)	4,85015 x 0,00005	7,05475 x 0,00005	/	1,3670 x 0,0005	2,6455 x 0,0005	4,8500 x 0,0005	4,8500 x 0,0005
Pfund:Unze (lb:oz)	4lb:13,604oz x 0,001oz	7lb:00,878oz x 0,001oz	/	1lb:5,870oz x 0,005oz	2lb:10,330oz x 0,005oz	4lb:13,600oz x 0,005oz	4lb:13,600oz x 0,005oz
Karat (ct)	9999,95/11000,0 x 0,05/0,1	9999,95/16000,0 x 0,05/0,1	1100 x 0,5	3100 x 0,5	6000 x 0,5	11000 x 0,5	11000 x 0,5
Getreide (grn)	33951,2 x 0,2	49383,6 x 0,2	3400 x 2	9570 x 2	18520 x 2	33950 x 2	33950 x 2

Modell	NVT4201	NVT6201	NVT10201	NVT2200	NVT6200	NVT12000	NVT22000
Gramm (g)	4200 x 0,1	6200 x 0,1	10000 x 0,1	2200 x 1	6200 x 1	12000 x 1	22000 x 1
Kilogramm (kg)	4,2 x 0,0001	6,2 x 0,0001	10 x 0,0001	2,2 x 0,001	6,2 x 0,001	12 x 0,001	22 x 0,001
Newton (N)	41,188 x 0,001	60,801 x 0,001	98,066 x 0,001	21,57 x 0,01	60,8 x 0,01	117,68 x 0,01	215,74 x 0,01
Unze (oz)	148,15 x 0,005	218,700 x 0,005	352,735 x 0,005	77,6 x 0,05	218,7 x 0,05	423,3 x 0,05	776,05 x 0,05
Unze Troja (ozt)	135,035 x 0,005	199,335 x 0,005	321,505 x 0,005	70,75 x 0,05	199,35 x 0,05	385,8 x 0,05	707,3 x 0,05
Pfenniggewicht (dwt)	2700,7 x 0,1	3986,7 x 0,1	6430,1 x 0,1	1410 x 1	3990 x 1	7720 x 1	14150 x 1
Pfund (lb)	9,2595 x 0,0005	13,6685 x 0,0005	22,0460 x 0,0005	4,85 x 0,005	13,67 x 0,005	26,455 x 0,005	48,5 x 0,005
Pfund:Unze (lb:oz)	9lb:4,15oz x 0,005oz	13lb:10,700oz x 0,005oz	9lb:15,995oz / 22lb:00,74oz x 0,005oz / 0,01oz	4lb:13,6oz x 0,05oz	13lb:10,7oz x 0,05oz	26lb:7,3oz x 0,05oz	48lb:8,05oz x 0,05oz
Karat (ct)	21000 x 0,5	31000 x 0,5	50000,0 x 0,5	11000 x 5	31000 x 5	60000 x 5	110000 x 5
Getreide (grn)	64820 x 2	95680 x 2	154320 x 2	33960,19 x 20	95680 x 20	185180 x 20	339520 x 20

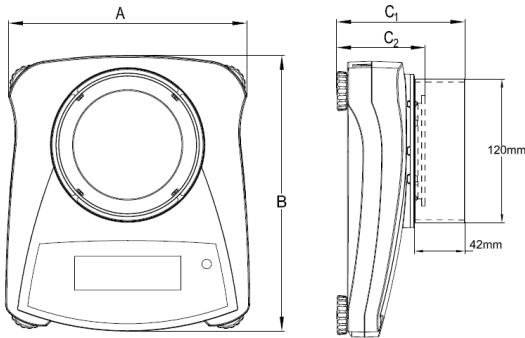
Zugelassene Modelle

Modell	NVT1601M	NVT3200M	NVT6400M	NVT16000M
Fassungsvermögen (g)	1600	3200	6400	16000
Lesbarkeit (g)	0,5	1	2	5
Verifizierungsintervalle (g)	0,5	1	2	5
Spannweiten-Kalibriermasse (nicht enthalten)	1 kg	2 kg	5 kg	10 kg
Linearität Kalibriermasse	1 kg, 1,5 kg	2 kg, 3 kg	3 kg, 6 kg	10 kg, 15 kg
Zulassungsklasse	III			
Stabilisierungszeit (s)	1 s			
Konstruktion	ABS-Gehäuse & Edelstahlwanne			
Kalibrierung	Vom Benutzer wählbare externe Spanne oder Linearitätskalibrierung/Digital mit externem Gewicht			
Tarabereich	Volle Kapazität durch Subtraktion			
Wägeeinheiten	g, kg, ct			
Anwendungsmodi	Wiegen, Prozentwiegen, Teilezählen, Kontrollwiegen			
Tastatur	4 mechanische Tasten, plus 1 berührungsloser Sensor			
Leistungsbedarf	Netzadapter (enthalten) oder 4 C-Batterien (nicht enthalten)			
Typische Batteriebensdauer	270 Stunden			
Spezifizierter Temperaturbereich	0°C (32°F) bis 40°C (104°F) bei 10% bis 85% relativer Luftfeuchtigkeit, nicht kondensierend			
Lagerbedingungen	-20°C (-4°F) bis 55°C (131°F) bei 10% bis 90% relativer Luftfeuchtigkeit, nicht kondensierend			
Kommunikation	RS232, USB oder Ethernet (als Zubehör erhältlich)			
Anzeige-Typ	Flüssigkristallanzeige (LCD) mit Hintergrundbeleuchtung			
Größe der Anzeige	20 mm Einheiten			
Schalengröße (B x T)	230 x 174 mm			
Abmessungen der Waage (B x T x H)	240 x 250 x 74 mm			
Versand-Abmessungen (B x T x H)	385 x 335 x 170 mm			
Nettogewicht	1,5 kg			
Versandgewicht	2,3 kg			

6.2 Zeichnungen






	A	B	C
NV	204 mm / 8 in.	230 mm / 9 in.	70 mm / 2.8 in.
NVT	240 mm / 9.5 in.	250 mm / 9.8 in.	74 mm / 2.9 in.



	A	B	C1	C2
NV mit Windschutz	204 mm / 8 in.	230 mm / 9 in.	107 mm / 4.2 in.	74 mm / 2.9 in.

6.3 Einhaltungsvorschriften

Die Einhaltung der folgenden Normen wird durch die entsprechende Kennzeichnung auf dem Produkt angezeigt.

Kennzeichnung	Norm
	Dieses Produkt entspricht den EU-Richtlinien 2011/65/EU (RoHS), 2014/30/EU (EMC), 2014/35/EU (LVD) und 2014/31/EU (NAWI). Die EU-Konformitätserklärung ist online verfügbar unter www.ohaus.com/ce .
	Dieses Produkt entspricht der EU-Richtlinie 2012/19/EU (WEEE). Bitte entsorgen Sie dieses Produkt gemäß den örtlichen Vorschriften an der für Elektro- und Elektronikgeräte vorgesehenen Sammelstelle. Entsorgungshinweise in Europa finden Sie unter www.ohaus.com/weee .
	EN 61326-1

Geprüfte Waagen in der EU

Wenn das Gerät im Handel oder in einer gesetzlich kontrollierten Anwendung verwendet wird, muss es in Übereinstimmung mit den örtlichen Vorschriften für Gewichte und Maße aufgestellt, geprüft und versiegelt werden. Es liegt in der Verantwortung des Käufers, dafür zu sorgen, dass alle relevanten gesetzlichen Anforderungen erfüllt werden.

Am Herstellungsort geprüfte Waagen tragen die folgende, zusätzliche Messtechnik-Kennzeichnung auf dem Typenschild.



Zweistufig geprüfte Waagen haben keine zusätzliche messtechnische Kennzeichnung auf dem Typenschild. Die zweite Stufe der Konformitätsbewertung muss von den zuständigen Behörden für Gewichte und Maße durchgeführt werden.

Wenn nationale Vorschriften die Gültigkeitsdauer der Prüfung begrenzen, muss der Benutzer der Waage den Zeitraum der Nachprüfung strikt einhalten und die Prüfbehörden informieren.

Da die Überprüfungsanforderungen je nach Rechtsprechung variieren, sollte sich der Käufer an sein lokales Gewicht- und Maßbüro wenden, wenn er mit den Anforderungen nicht vertraut ist.

FCC-Vermerk

Dieses Gerät wurde getestet und entspricht den Grenzwerten für ein digitales Gerät der Klasse B gemäß Teil 15 der FCC-Vorschriften. Diese Grenzwerte sollen einen angemessenen Schutz vor schädlichen Störungen bieten, wenn das Gerät in einer gewerblichen Umgebung betrieben wird. Dieses Gerät erzeugt, verwendet und kann Hochfrequenzenergie abstrahlen und kann, wenn es nicht gemäß der Bedienungsanleitung installiert und verwendet wird, schädliche Störungen der Funkkommunikation verursachen. Der Betrieb dieses Geräts in einem Wohngebiet kann zu schädlichen Störungen führen, in diesem Fall ist der Benutzer verpflichtet, die Störungen auf eigene Kosten zu beheben.

- Richten Sie die Empfangsantenne neu aus oder verlegen Sie diese.
- Vergrößern Sie den Abstand zwischen Gerät und Empfänger.
- Schließen Sie das Gerät an eine Steckdose in einem anderen Stromkreis als dem, an den der Empfänger angeschlossen ist.

- Wenden Sie sich an den Händler oder einen erfahrenen Radio-/Fernsehtechniker.

Änderungen oder Modifikationen, die nicht ausdrücklich von der für die Einhaltung der Vorschriften verantwortlichen Stelle genehmigt wurden, könnten die Befugnis des Benutzers zum Betrieb des Geräts aufheben.

Hinweis für den kanadischen Markt

Dieses digitale Gerät der Klasse B entspricht der kanadischen ICES-003.

ISO 9001 Registrierung

Das Managementsystem für die Herstellung dieses Produkts ist nach ISO 9001 zertifiziert.

EINGESCHRÄNKTE GARANTIE

OHAUS-Produkte haben vom Lieferdatum bis zur Dauer der Garantiezeit eine Garantie auf Material- und Verarbeitungsfehler. Während der Garantiezeit repariert oder ersetzt OHAUS nach eigenem Ermessen kostenlos alle Komponenten, die sich als defekt erweisen, vorausgesetzt, das Produkt wird frachtfrei an OHAUS zurückgesandt. Diese Garantie gilt nicht, wenn das Produkt durch Unfall oder Missbrauch beschädigt wurde, radioaktiven oder korrosiven Materialien ausgesetzt war, Fremdkörper in das Innere des Produkts eindringen oder durch Wartung oder Modifikation durch andere als OHAUS verursacht wurde. Anstelle einer ordnungsgemäß zurückgegebenen Garantiekarte beginnt die Garantiezeit mit dem Datum des Versands an den Vertragshändler. Die OHAUS Corporation übernimmt keine andere ausdrückliche oder stillschweigende Garantie. Die OHAUS Corporation haftet nicht für Folgeschäden.

Da die Garantiebestimmungen von Land zu Land unterschiedlich sind, wenden Sie sich bitte an OHAUS oder Ihren lokalen OHAUS-Händler, um weitere Informationen zu erhalten.

Produkt-Registrierung

Schützen Sie Ihre Investition. Registrieren Sie Ihr Produkt bei Ihrem lokalen OHAUS-Händler. In den USA und Kanada können Sie es online unter www.ohaus.com registrieren.

1. INTRODUZIONE

Questo manuale contiene le istruzioni di installazione, funzionamento e manutenzione per la serie Navigator™. Si prega di leggere completamente il manuale prima di utilizzare la bilancia.

1.1 Definizione dei segnali di pericolo e dei simboli.

PERICOLO	Per situazioni pericolose con medio rischio, che potrebbero causare lesioni o morte se non evitate.
CAUTELA	Per situazioni pericolose con basso rischio, con conseguenti danni al dispositivo o alla proprietà o perdita di dati, o lesioni se non evitate.
Attenzione	Per informazioni importanti sul prodotto
Nota	Per informazioni utili sul prodotto



Pericolo generico



Pericolo generico

1.2 Precauzioni di sicurezza



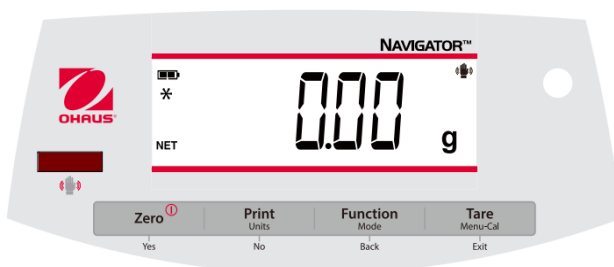
CAUTELA: Leggere tutte le avvertenze di sicurezza prima dell'installazione, di effettuare collegamenti o riparare questa apparecchiatura. La mancata osservanza di queste avvertenze potrebbe causare lesioni personali e / o danni materiali. Conservare tutte le istruzioni per riferimenti futuri.

- Verificare che l'intervallo della tensione di ingresso dell'adattatore CA e il tipo di presa corrispondano alle condutture dell'alimentazione CA locale.
- Posizionare lo strumento in modo tale che l'adattatore CA possa essere facilmente disconnesso dalla presa a muro.
- Posizionare il cavo di alimentazione in modo tale che non sia di ostacolo o determini pericolo.
- Operare con l'attrezzatura solo nelle condizioni ambientali specificate in queste istruzioni.
- L'attrezzatura è utilizzabile solo in ambienti chiusi.
- Non utilizzare l'attrezzatura in ambienti pericolosi o esplosivi.
- Utilizzare l'apparecchiatura solo in luoghi asciutti.
- Usare solo accessori e periferiche approvate.
- Disconnettere l'attrezzatura dall'alimentazione di corrente prima di iniziare la pulizia.
- La manutenzione deve essere eseguita solo da personale autorizzato.

1.3 Destinazione d'uso

Utilizzare lo strumento esclusivamente per la pesatura come descritto nelle istruzioni operative. Qualsiasi altro tipo di utilizzo e funzionamento oltre i limiti delle specifiche tecniche senza il consenso scritto di OHAUS, è considerato come non previsto. Questo strumento è conforme agli attuali standard del settore e alle normative di sicurezza riconosciute; tuttavia, può costituire un pericolo in uso. Se lo strumento non viene utilizzato secondo queste istruzioni operative, la garanzia prevista per lo strumento potrebbe essere compromessa e OHAUS non si assume alcuna responsabilità.

1.4 Controlli



Pulsanti	Funzioni
Zero ① Yes	Pressione Breve (quando accesa): Imposta il display su zero (quando spenta): Accende la bilancia Pressione Lunga (quando accesa): Spegne la bilancia Pressione Breve (in Menu): Seleziona/accetta le impostazioni visualizzate
Print Units No	Pressione Breve: Consulta il manuale interfaccia per la descrizione del funzionamento Pressione Lunga: Alterna le unità attive Pressione Breve (in Menu): Alterna le impostazioni disponibili
Function Mode Back	Pressione Breve: Seleziona l'impostazione funzione Pressione Lunga: Seleziona la modalità attiva Pressione Breve (in Menu): Ritorna alle impostazioni precedenti
Tare Menu-Cal Exit	Pressione Breve: Accede/cancella un valore di Tara Pressione Lunga: Accede al manuale dell'utente Pressione Breve (in Menu): Esce velocemente dal menu utente
IR Sensor*	I sensori IR possono essere programmati come pulsanti "touchless". Consultare il manuale dell'utente, sezione 4,3, per le impostazioni disponibili.

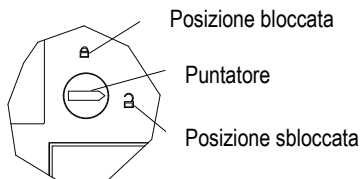
I sensori IR possono essere attivati per mano o da un altro oggetto posizionato a circa 12 mm (½ pollice) sopra la posizione del sensore. La distanza di attivazione del sensore varierà in base alla natura riflettente dell'oggetto. Se si verificano attivazioni indesiderate a causa di situazioni particolari, il sensore può essere disattivato.

* La disponibilità del sensore IR dipende dal modello e dalla regione.

2. INSTALLAZIONE

2.1 Blocco trasporto

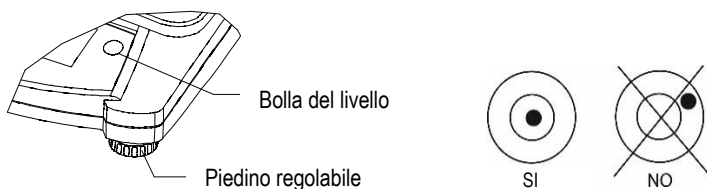
Il Blocco Trasporto è posizionato sotto la bilancia. Ruotare il puntatore sulla posizione sbloccata.



2.2 Posizione

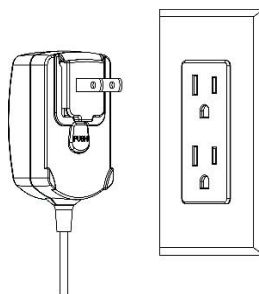
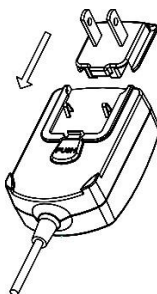
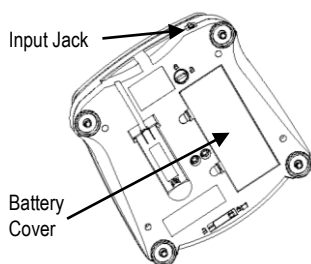
Utilizzare la bilancia su una superficie stabile e piana. Evitare luoghi con eccessiva corrente d'aria, vibrazioni, fonti di calore o rapidi cambiamenti di temperatura.

Regolare i piedini di livellamento in modo che la bolla sia centrata nel cerchio.



2.3 Alimentazione

L'adattatore CA viene utilizzato per alimentare la bilancia quando non è necessaria la carica della batteria.



Collegare la spina dell'adattatore CA alla presa elettrica.

Collegare l'adattatore CA all'alimentazione Ca corretta.

Installazione della batteria (senza batteria interna opzionale):

Rimuovere il coperchio della batteria e installare 4 batterie usando le indicazioni di polarità come mostrato nel compartimento.

Batteria ricaricabile opzionale*

Le bilance con batteria ricaricabile opzionale dovranno essere caricate per 12 ore prima che la bilancia stessa possa essere utilizzata per la prima volta con la batteria. La batteria è protetta dal sovraccarico in modo che la bilancia possa rimanere collegata all'alimentazione CA. Quando la batteria è completamente carica, l'indicatore della batteria sul display smette di lampeggiare.

Per rimuovere l'opzione della batteria ricaricabile e installare le batterie C, fare riferimento al manuale di istruzioni, sezione Opzione Ricarica Batteria per le istruzioni dettagliate e le istruzioni sullo smaltimento.



ATTENZIONE: Se la batteria ricaricabile viene sostituita con il tipo sbagliato o se non è collegata correttamente, si possono verificare rischi di esplosione.

Nota:

Dopo l'accensione, si consiglia di lasciare che il caldo bilancia per almeno 5 minuti prima di utilizzarlo.

* La disponibilità del sensore IR dipende dal modello e dalla regione.

2.4 Calibrazione iniziale

Quando la bilancia viene installata per la prima volta, deve essere calibrata per garantire risultati accurati.

Premere e tenere premuto **Menu-Cal** fino a visualizzare [**MENU**] (Menu). Quando il pulsante viene rilasciato, il display visualizzerà [**C.R.L.**]. Premere **Si** per accettare, si visualizzerà quindi [**SPAN**]. Premere **Si** di nuovo per cominciare la calibrazione. [**--C--**] lampeggia mentre viene memorizzata la lettura dello zero. Successivamente, il display mostra il valore di peso di calibrazione. Posizionare la massa di calibrazione specificata sul piatto della bilancia. [**--C--**] lampeggia mentre viene memorizzata la lettura. La bilancia torna alla modalità di applicazione precedente ed è pronta per l'uso.

3. FUNZIONAMENTO

Tutte le modalità, ad eccezione della pesatura, devono essere attivate nel Menu Utente prima che siano disponibili, vedere la sezione 4.

3.1 Modalità peso

1. Premere e tenere premuto **Mode** fino a visualizzare [**WEIGH**] (Peso).
2. Se necessario, posizionare un contenitore vuoto sul piatto e premere **Tare**.
3. Aggiungere il materiale al contenitore. Il display mostra il peso del materiale.

3.2 Modalità conteggio parti

Questa modalità conta un numero elevato di elementi in base al peso di un conteggio di riferimento.

1. Posizionare un contenitore vuoto sul piatto e premere **Tare**.
2. Premere e tenere premuto **Mode** fino a visualizzare [**COUNT**] (Conteggio). [**CLR.PW**] Verrà quindi visualizzato (Cancella Peso Pezzo Medio).
3. Premere **No** per usare l'APW (Peso Pezzo Medio) memorizzato. Procedere al passaggio 6.

4. Premere **Yes** per establish an APW. La bilancia visualizzerà quindi la dimensione del campione memorizzata, cioè [Pult 10]. Premere **No** o **Back** per passare da una selezione all'altra (5, 10, 20, 50 or 100).
5. Posizionare il numero indicato dei pezzi sul piatto quindi premere **Yes** per calcolare l'APW. Il display mostra il conteggio del pezzo. Nota: Premere **Function** per visualizzare l'APW corrente.
6. Aggiungere pezzi aggiuntivi fino a raggiungere il conteggio desiderato.
7. Per cancellare l'APW memorizzato, premere e tenere premuto **Mode** fino a visualizzare [Count]. Premere **Yes** quando viene visualizzato [CLr.rAPU].

3.3 Modalità percentuale

Questa modalità misura il peso di un campione come percentuale di un peso di riferimento.

1. Posizionare un contenitore vuoto sul piatto e premere **Tare**.
2. Premere e tenere premuto **Mode** fino a visualizzare [PErcent]. Sarà quindi visualizzato [CLr.rEF](cancella riferimento).
3. Premere **No** per utilizzare il peso di riferimento memorizzato e procedere con il passaggio 6.
4. Premere **Yes** per stabilire un nuovo riferimento. Ora, la bilancia visualizzerà [Pult.rEF].
5. Aggiungere il materiale di riferimento desiderato al contenitore. Premere **Yes** per memorizzare il peso di riferimento. Il display mostra 100%.
Nota: Premere **Function** per visualizzare il peso di riferimento corrente.
6. Sostituire il materiale di riferimento con un materiale campione. Il display mostra la percentuale di un campione confrontata al peso di riferimento.
7. Per cancellare il riferimento memorizzato premere e tenere premuto **Mode** fino a visualizzare [PErcent]. Premere **Yes** quando viene visualizzato [CLr.rEF].

3.4 Modalità Controllo del peso

Questa modalità imposta limiti di peso bassi e alti per i processi di controllo delle porzioni.

1. Premere e tenere premuto **Mode** fino a visualizzare [CHECk] (Controllo). Verrà quindi visualizzato [CLr.rEF] (cancella riferimenti).
2. Premere **No** per utilizzare i limiti di peso di riferimento memorizzati e procedere al passaggio 5.
Nota: Premere **Function** per visualizzare i limiti di peso di riferimento bassi e alti.
3. Premere **Yes** per stabilire nuovi valori di riferimento. La bilancia visualizzerà quindi [SEt. Lo]. Premere **Yes** per visualizzare il valore del limite "Basso". Premere **Yes** per accettare o **No** per modificare il valore del limite "Basso". Il valore memorizzato visualizzerà quindi la prima cifra evidenziata [00 000kg]. Premere ripetutamente **No** fino a che appaia il numero desiderato. Premere **Yes** per accettare e evidenziare la cifra successiva. Ripetere fino a che tutte le cifre siano corrette. Premere **Yes** per accettare il valore del limite "basso", verrà quindi visualizzato [SEt. H i].
4. Ripetere la stessa procedura per accettare o modificare il valore "alto".
5. Posizionare un materiale campione sul piatto. L'indicatore "Accetta" mostrerà ora che il peso campione è nell'intervallo accettabile.
6. Per cancellare i valori di riferimento memorizzati, premere e tenere premuto **Mode** fino a visualizzare [CHECk]. Premere **Yes** alla visualizzazione di [CLr.rEF].

4. IMPOSTAZIONI

Il Menu Utente consente la personalizzazione delle impostazioni della bilancia.

Nota: Ulteriori sottomenu possono essere disponibili se sono installate le Opzioni di Interfaccia.

Vedere il Manuale Utente dell'Interfaccia per ulteriori informazioni sulle impostazioni.

4.1 Menu Navigazione

Menu Utente:

<i>Sotto-menu:</i>	<i>.C.a.l.</i>	<i>.S.e.t.u.p.*</i>	<i>.M.o.d.e.</i>	<i>.U.n.i.t.*</i>	<i>.E.n.d.</i>
<i>Menu Items:</i>	<i>Span Lin</i>	<i>b.light A-OFF IR** Filter AZT Stab Stab.C</i>	<i>Count Percnt Check</i>	<i>g kg ... End</i>	
	<i>End</i>	<i>End</i>	<i>End</i>		

* Nota: Le impostazioni disponibili variano in base a modelli e regioni

** La disponibilità del sensore IR dipende dal modello e dalla regione.

Premere e tenere premuto Menu fino a che si visualizzi (Menu) [**MENU**]. Quando rilasciato, si visualizzerà il primo sotto-menu (Cal) [**C.A.L.**].

Premere **Yes** per inserire il sotto-menu visualizzato o premere **No** per avanzare al successivo.

Selezionando un sotto-menu, si visualizzerà la prima voce del menu. Premere **Yes** per visualizzare le impostazioni della voce del menu o premere **No** per spostarsi alla voce del menu successiva. Quando si visualizzano le impostazioni, premere **Si** per accettare le impostazioni, o premere **No** per modificare le impostazioni. Quando viene visualizzato [**FINE**], premere **Yes** per tornare alle selezioni del sotto-menu o **No** per tornare alla prima voce del menu corrente.

4.2 Sotto-menu Cal

- Intervallo [**SPAN**] (si, no) - Inizia una procedura di calibrazione dell'intervallo (zero e intervallo). Una calibrazione dell'intervallo è importante quando si determinano le impostazioni iniziali della bilancia.
- Lin [**Lin**] (si, no) - Inizia una calibrazione di linearità (zero, punto medio e intervallo).

4.3 Sotto-menu di impostazione

- La retroilluminazione [**b.L .Shft**] (on,off,**Auto**)-Quando la retroilluminazione è impostata su "on" la bilancia sarà sempre "on". Quando la retroilluminazione è impostata su "Auto", la bilancia si accenderà quando si preme un pulsante o il peso del display cambia.
- Auto Off [**A-OFF**] (on, **off**) - Quando Auto Off è impostato su "on" la bilancia si spegnerà automaticamente dopo 5 minuti di inattività. L'autospegnimento (Auto off) viene utilizzato per risparmiare la carica della batteria.
- Sensore IR [**Ir.Func**] (Off, Tara, Funzione, Stampa, Zero, **Display**) - Queste impostazioni determinano il ruolo del sensore IR. "Zero", "Stampa", "Funzione" o "Tara" permettono al sensore

IR di agire come il relativo pulsante. “Display” attiva il display se Display-Auto è impostato. “Off” disabilita il sensore*

- Filtro [**F iLteR**] (L1,L2,L3,L4) - impostare la quantità di filtraggio del segnale

	L1----->L4
Stabilità	Minore----- > Maggiore
Tempo di stabilizzazione	Più veloce ----- > Più lento

- Auto Zero Tracking [**AzT**] (OFF,0.5d,1d,3d,5d,8d,10d) - Impostare la funzionalità di tracciamento automatico dello zero. Il display manterrà lo zero fino al superamento di una variazione di “0,5d,1d,3d,5d,8d,10d” divisioni al secondo.
- Stabile [**StAb**] (0,5d,1d,2d,5d) – L’impostazione della quantità di lettura può variare mentre il simbolo di stabilità rimane acceso.
- Compensazione stabile [**StAb.C**] (on, off) - Impostare la funzionalità di tracciamento stabile automatico. Impostare su “off” per il dosaggio o l’applicazione di riempimento.

Nota: Il grassetto rappresenta sempre il valore predefinito di fabbrica

*La disponibilità del sensore IR dipende dal modello e dalla regione.

4.4 Menu Modalità

Questo sotto-menu attiva le modalità in modo che siano disponibili per l’uso con il pulsante Modalità. La modalità Peso è sempre attiva.

- Conteggio parti [**CouNt**] (on, off) - Impostare su on per attivare la modalità.
- Percentuale [**PERcent**] (on, off) - Impostare su on per attivare la modalità.
- Controlla Peso [**CouNt**] (on, off) - Impostare su on per attivare la modalità.

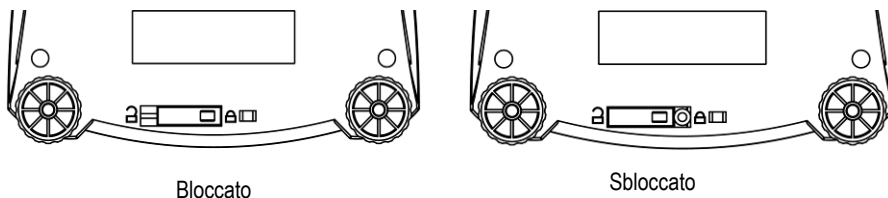
4.5 Menu Unità

Questo sottomenu attiva le unità in modo che siano accessibili con il pulsante Unità. Per attivare le unità, le stesse devono essere su “on”.

Nota: Le unità e le modalità disponibili variano in base al modello e alle normative locali.

4.6 Blocco dell’accesso alle impostazioni della bilancia

È possibile utilizzare l’interruttore di blocco dei menu per limitare le modifiche al menu utente. L’interruttore in modelli omologati può configurare alcune impostazioni della bilancia come richiesto dall’ente di approvazione. L’interruttore può essere bloccato usando sigilli di carta, sigilli con fili o fascette di plastica.



5.MANUTENZIONE

5.1 Pulizia



PERICOLO: Pericolo di shock elettrico. Disconnettere l'apparecchiatura dall'alimentazione prima della pulizia.
Assicurarsi che non entri del liquido all'interno dello strumento.



Attenzione: Non utilizzare solventi, prodotti chimici aggressivi, ammoniaca o detersivi abrasivi.

Le superfici esterne dello strumento possono essere pulite con un panno inumidito con acqua e un detergente delicato.

5.2 Risoluzione dei problemi

La seguente tabella elenca problemi comuni con possibili cause e rimedi.

Se il problema persiste, contattare OHAUS o l'agente autorizzato.

Sintomo	Possibile causa	Rimedio
Non si riesce ad accendere	Nessuna alimentazione alla bilancia	Verificare le connessioni e la tensione
Poca precisione	Calibrazione non corretta Ambiente instabile	Eseguire una calibrazione Spostare la bilancia in un luogo più adatto
Non si riesce a calibrare	Ambiente instabile Peso di calibrazione non corretto	Spostare la bilancia in un luogo più adatto Utilizzare un peso di calibrazione corretto
Non si riesce ad accedere alla modalità	La modalità non è abilitata	Inserire il menu e abilitare la modalità
Non si riesce ad accedere all'unità	L'unità non è abilitata	Inserire il menu e abilitare l'unità
Lo rEF	Il peso di riferimento è troppo basso	Aumentare il peso di riferimento.
rEF Err	Conteggio delle parti - peso campione <1d	Mostra errore - esce dalla modalità o va a [Lr.APU] .
Err 3.0	Peso di calibrazione non corretto	Vedere sezione 2,5 per i pesi corretti
Err 4.4	Il buffer RS232 è pieno	Impostare Handshake su on, vedere il Manuale Utente dell'Interfaccia
Err 8.1	Alimentazione sull'intervallo zero superata	Cancellare il piatto, controllare le impostazioni Blocco Spedizione
Err 8.2	Alimentazione su zero sotto l'intervallo	Installare il piatto, controllare le impostazioni Blocco Spedizione
Err 8.3	Sovraccarico (>cap+9e)	Il carico eccede la capacità massima della bilancia
Err 8.4	Sotto carico	Lettura sotto l'intervallo minimo - Reinstallare il piatto.
Err 8.6	Valore visualizzato >999999	Il risultato eccede la capacità del display
Err 9	Errore di dati interni	Contattare un rappresentante di assistenza autorizzato
Err 13	Non riesce a scrivere EEPROM.	Contattare un rappresentante di assistenza autorizzato
Err 53	Dati checksum invalidi	Contattare un rappresentante di assistenza autorizzato

5.3 Informazioni sull'assistenza

Se la sezione di risoluzione dei problemi non risolve o descrive il problema, contattare un rappresentante di assistenza autorizzato OHAUS. Per assistenza o supporto tecnico negli Stati Uniti, chiamare il numero verde 1-800-526-0659 tra le 8:00 e le 17:00 EST. Uno specialista del servizio prodotti OHAUS sarà disponibile per fornire assistenza. Al di fuori degli Stati Uniti, si prega di visitare il nostro sito web, www.ohaus.com per individuare l'ufficio OHAUS più vicino.

6. DATI TECNICI

Classificazioni dell'attrezzatura:

- Livello di inquinamento 2;
- Categoria di installazione II;
- Altitudine 2000;
- Umidità: Massima 80% per temperature fino a 31°C con diminuzione lineare del 50% a 40°C, senza condensa;
- Alimentazione elettrica: Nominale 12VCC 500 mA per uso con adattatore di potenza Certificato/Elencato o a batteria;
- Solo uso in interno;
- Intervallo di temperatura: 10-40 °C, modelli approvati (M) 0-40 °C.
- Le fluttuazioni di tensione delle condutture elettriche non devono superare +- 10% della tensione nominale.

**6.1 Specifiche
Modelli non approvati**

Modello	NV123	NV223	NV323	NV222	NV422	NV622	NV1202
Capacità (g)	120	220	320	220	420	620	1200
Leggibilità (g)	0,001	0,001	0,001	0,01	0,01	0,01	0,01
Ripetibilità (Disp. Stand.)	2d	2d	2d	1d	2d	2d	2d
Linearità	±3d	±5d	±5d	±2d	±2d	±2d	±3d
Massa di taratura dell'intervallo (Non incluso)	100	200	300	200	200	300	1000
Massa di taratura della linearità	50 g, 100 g	100 g, 200 g	150 g, 300 g	100 g, 200 g	200 g, 400 g	300 g, 600 g	500 g, 1 kg
Tempo di stabilizzazione (s)	2,5			1	1,5	1,5	2
Costruzione	Custodia ABS e piatto in acciaio inossidabile						
Protezione	Sì			No			
Taratura	Taratura di intervallo o linearità esterna selezionabile dall'utente o taratura di linearità/Digitale con peso esterno						
Intervallo tara	Piena capacità per sottrazione						
Unità di pesatura**	g, kg, N, oz, ozt, dwt, lb, lb:oz, ct, grano, tael (3), Tical, Tola						
Modalità di applicazione	Pesatura, conteggio dei pezzi, pesatura percentuale, controllo peso						
Requisiti di potenza	Adattatore CA (incluso) o 4 batterie C (non incluse)						
Durata tipica della batteria	200 ore			270 ore			200 ore
Intervallo di temperatura specificato	Da 10°C (50°F) a 40°C (104°F) con un'umidità relativa dal 10% all'85%, senza condensazione						
Condizioni di conservazione	Da -20°C (-4°F) a 55°C (131°F) con un'umidità relativa dal 10% al 90%, senza condensazione						
Comunicazione	RS232, USB o Ethernet (disponibile come accessorio)						
Tipo di display	Display a cristalli liquidi (LCD) con retroilluminazione						
Dimensione del display	Cifre da 0,78 pollici/20 mm						
Dimensione piatto (L x P)	Ø3,7 pollici/Ø93 mm			Ø5,7 pollici/Ø145 mm			7,5 x 5,7 pollici/190 x 144 mm
Dimensioni della bilancia (L x P x A)	204 x 230 x 107 mm con protezione 204 x 230 x 74 mm senza protezione			8 x 9,1 x 2,8 pollici/204 x 230 x 70 mm			
Dimensioni di spedizione (L x P x A)	15,2 x 13,2 x 6,7 pollici/385 x 335 x 170 mm			11,8 x 9,8 x 5,3 pollici/300 x 250 x 134 mm			
Peso netto	2,2 lb / 1,0 kg			2,2 lb / 1,0 kg			
Peso di spedizione	3,3 lb / 1,5 kg			3,3 lb / 1,5 kg			

Modello	NV2202	NV3202	NV221	NV621	NV1201	NV2201	NVT2201
Capacità (g)	2200	3200	220	620	1200	2200	2200
Leggibilità (g)	0,01	0,01	0,1	0,1	0,1	0,1	0,1
Ripetibilità (Disp. Stand.)	2d	2d	1d	1d	1d	1d	1d
Linearità	±5d	±5d	±2d	±2d	±2d	±2d	±2d
Massa di taratura dell'intervallo (Non incluso)	2000	3000	200	300	500	1000	1000
Massa di taratura della linearità	1 kg, 2 kg	1,5 kg, 3 kg	100 g, 200 g	300 g, 600 g	500 g, 1 kg	1 kg, 2 kg	1 kg, 2 kg
Tempo di stabilizzazione (s)	2	2	1	1	1	1	1
Costruzione	Custodia ABS e piatto in acciaio inossidabile						
Protezione	No						
Taratura	Taratura di intervallo o linearità esterna selezionabile dall'utente o taratura di linearità/Digitale con peso esterno						
Intervallo tara	Piena capacità per sottrazione						
Unità di pesatura**	g, kg, N, oz, ozt, dwt, lb, lb:oz, ct, grano, tael, Tical, Tola						
Modalità di applicazione	Pesatura, conteggio dei pezzi, pesatura percentuale, controllo peso						
Requisiti di potenza	Adattatore CA (incluso) o 4 batterie C (non incluse)						
Durata tipica della batteria	200 ore			270 ore			
Intervallo di temperatura specificato	Da 10°C (50°F) a 40°C (104°F) con un'umidità relativa dal 10% all'85%, senza condensazione						
Condizioni di conservazione	Da -20°C (-4°F) a 55°C (131°F) con un'umidità relativa dal 10% al 90%, senza condensazione						
Comunicazione	RS232, USB o Ethernet (disponibile come accessorio)						
Tipo di display	Display a cristalli liquidi (LCD) con retroilluminazione						
Dimensione del display	Cifre da 0,78 pollici/20 mm						
Dimensione piatto (L x P)	7,5 x 5,7 pollici/190 x 144 mm						9,1 x 6,9 pollici/230 x 174 mm
Dimensioni della bilancia (L x P x A)	8 x 9,1 x 2,8 pollici/204 x 230 x 70 mm						9,5 x 9,8 x 2,9 pollici/240 x 250 x 74 mm
Dimensioni di spedizione (L x P x A)	11,8 x 9,8 x 5,3 pollici/300 x 250 x 134 mm						15,2 x 13,2 x 6,7 pollici/385 x 335 x 170 mm
Peso netto	2,2 lb / 1,0 kg						3,3 lb / 1,5 kg
Peso di spedizione	3,3 lb / 1,5 kg						5,1 lb / 2,3 kg

Modello	NVT4201	NVT6201	NVT10201	NVT2200	NVT6200	NVT12000	NVT22000
Capacità (g)	4200	6200	10200	2200	6200	12000	22000
Leggibilità (g)	0,1	0,1	0,1	1	1	1	1
Ripetibilità (Disp. Stand.)	2d	2d	2d	2d	1d	1d	1d
Linearità	±2d	±2d	±2d	±2d	±2d	±2d	±2d
Massa di taratura dell'intervallo (Non incluso)	2000	5000	5000	1000	5000	5000	10000
Massa di taratura della linearità	2 kg, 4 kg	3 kg, 6 kg	5 kg, 10 kg	1 kg, 2 kg	3 kg, 6 kg	5 kg, 10 kg	10 kg, 20 kg
Tempo di stabilizzazione (s)	1.5	1.5	1.5	1	1	1	1
Costruzione	Custodia ABS e piatto in acciaio inossidabile						
Protezione	No						
Taratura	Taratura di intervallo o linearità esterna selezionabile dall'utente o taratura di linearità/Digitale con peso esterno						
Intervallo tara	Piena capacità per sottrazione						
Unità di pesatura**	g, kg, N, oz, ozt, dwt, lb, lb:oz, ct, grano, tael, Tical, Tola						
Modalità di applicazione	Pesatura, conteggio dei pezzi, pesatura percentuale, controllo peso						
Requisiti di potenza	Adattatore CA (incluso) o 4 batterie C (non incluse)						
Durata tipica della batteria	270 ore	200 ore	270 ore				
Intervallo di temperatura specificato	Da 10°C (50°F) a 40°C (104°F) con un'umidità relativa dal 10% all'85%, senza condensazione						
Condizioni di conservazione	Da -20°C (-4°F) a 55°C (131°F) con un'umidità relativa dal 10% al 90%, senza condensazione						
Comunicazione	RS232, USB o Ethernet (disponibile come accessorio)						
Tipo di display	Display a cristalli liquidi (LCD) con retroilluminazione						
Dimensione del display	Cifre da 0,78 pollici/20 mm						
Dimensione piatto (L x P)	9,1 x 6,9 pollici/230 x 174 mm						
Dimensioni della bilancia (L x P x A)	9,5 x 9,8 x 2,9 pollici/240 x 250 x 74 mm						
Dimensioni di spedizione (L x P x A)	15,2 x 13,2 x 6,7 pollici/385 x 335 x 170 mm						
Peso netto	3,3 lb / 1,5 kg						
Peso di spedizione	5,1 lb / 2,3 kg						

** La disponibilità dipende dal modello e dalla regione.

Capacità x leggibilità

Modello	NV123	NV223	NV323	NV222	NV422	NV622	NV1202
Grammo (g)	120 x 0,001	220 x 0,001	320 x 0,001	220 x 0,01	420 x 0,01	620 x 0,01	1200 x 0,01
Chilogrammo (kg)	/	/	/	/	/	/	1,2 x 0,00001
Newton (N)	1,17679 x 0,00001	2,15744 x 0,00001	3,1381 x 0,00001	2,1574 x 0,0001	4,1188 x 0,0001	6,0801 x 0,0001	11,7679 x 0,0001
Oncia (oz)	4,23285 x 0,00005	7,76025 x 0,00005	9,99995x0,00005 11,2876 x 0,0001	7,7600 x 0,0005	14,8150 x 0,0005	21,8700 x 0,0005	42,3285 x 0,0005
Oncia Troy (ozt)	3,85805 x 0,00005	7,07315 x 0,00005	10,28820 x 0,00005	7,0730 x 0,0005	13,5030 x 0,0005	19,9335 x 0,0005	38,5805 x 0,0005
Pennyweight (dwt)	77,162 x 0,001	141,463 x 0,001	205,765 x 0,001	141,46 x 0,01	270,07 x 0,01	398,67 x 0,01	771,62 x 0,01
Libbra (libbra)	/	/	/	/	/	1,36690 x 0,00005	2,64550 x 0,00005
Libbra:Oncia (lb:oz)	/	/	/	/	/	1lb:5,8700oz x 0,0005oz	2lb:10,328oz x 0,001oz
Carato (ct)	600,000 x 0,005	999,995/1100,00 x 0,005/0,01	999,995/1600,00 x 0,005/0,01	1100 x 0,05	2100 x 0,05	3100 x 0,05	6000 x 0,05
Grano (grn)	1851,78 x 0,02	3395,12 x 0,02	4938,26 x 0,02	3395,0 x 0,2	6481,6 x 0,2	9568,0 x 0,2	18518,8 x 0,2

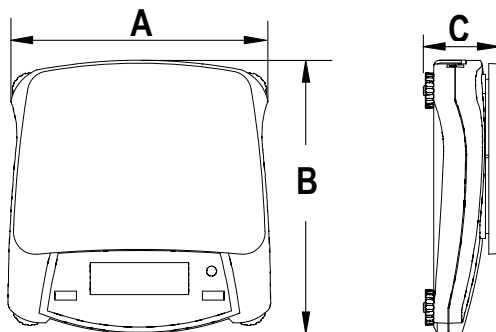
Modello	NV2202	NV3202	NV221	NV621	NV1201	NV2201	NVT2201
Grammo (g)	2200 x 0,01	3200 x 0,01	220 x 0,1	620 x 0,1	1200 x 0,1	2200 x 0,1	2200 x 0,1
Chilogrammo (kg)	2,2 x 0,00001	3,2 x 0,00001	/	/	1,2 x 0,0001	2,2 x 0,0001	2,2 x 0,0001
Newton (N)	21,5744 x 0,0001	31,381 x 0,0001	2,157 x 0,001	6,080 x 0,001	11,768 x 0,001	21,574 x 0,001	21,574 x 0,001
Oncia (oz)	77,6025 x 0,0005	99,9995/112,876 x 0,005/0,001	7,760 x 0,005	21,870 x 0,005	42,330 x 0,005	77,600 x 0,005	77,600 x 0,005
Oncia Troy (ozt)	70,7315 x 0,0005	99,9995/102,882 x 0,005/0,001	7,070 x 0,005	19,930 x 0,005	38,580 x 0,005	70,730 x 0,005	70,730 x 0,005
Pennyweight (dwt)	1414,63 x 0,01	2057,65 x 0,01	141,5 x 0,1	398,7 x 0,1	771,6 x 0,1	1414,6 x 0,1	1414,6 x 0,1
Libbra (libbra)	4,85015 x 0,00005	7,05475 x 0,00005	/	1,3670 x 0,0005	2,6455 x 0,0005	4,8500 x 0,0005	4,8500 x 0,0005
Libbra:Oncia (lb:oz)	4lb:13,604oz x 0,001oz	7lb:00,878oz x 0,001oz	/	1lb:5,870oz x 0,005oz	2lb:10,330oz x 0,005oz	4lb:13,600oz x 0,005oz	4lb:13,600oz x 0,005oz
Carato (ct)	9999,95/11000,0 x 0,05/0,1	9999,95/16000,0 x 0,05/0,1	1100 x 0,5	3100 x 0,5	6000 x 0,5	11000 x 0,5	11000 x 0,5
Grano (grn)	33951,2 x 0,2	49383,6 x 0,2	3400 x 2	9570 x 2	18520 x 2	33950 x 2	33950 x 2

Modello	NVT4201	NVT6201	NVT10201	NVT2200	NVT6200	NVT12000	NVT22000
Grammo (g)	4200 x 0,1	6200 x 0,1	10000 x 0,1	2200 x 1	6200 x 1	12000 x 1	22000 x 1
Chilogrammo (kg)	4,2 x 0,0001	6,2 x 0,0001	10 x 0,0001	2,2 x 0,001	6,2 x 0,001	12 x 0,001	22 x 0,001
Newton (N)	41,188 x 0,001	60,801 x 0,001	98,066 x 0,001	21,57 x 0,01	60,8 x 0,01	117,68 x 0,01	215,74 x 0,01
Oncia (oz)	148,15 x 0,005	218,700 x 0,005	352,735 x 0,005	77,6 x 0,05	218,7 x 0,05	423,3 x 0,05	776,05 x 0,05
Oncia Troy (ozt)	135,035 x 0,005	199,335 x 0,005	321,505 x 0,005	70,75 x 0,05	199,35 x 0,05	385,8 x 0,05	707,3 x 0,05
Pennyweight (dwt)	2700,7 x 0,1	3986,7 x 0,1	6430,1 x 0,1	1410 x 1	3990 x 1	7720 x 1	14150 x 1
Libbra (libbra)	9,2595 x 0,0005	13,6685 x 0,0005	22,0460 x 0,0005	4,85 x 0,005	13,67 x 0,005	26,455 x 0,005	48,5 x 0,005
Libbra:Oncia (lb:oz)	9lb:4,15oz x 0,005oz	13lb:10,700oz x 0,005oz	9lb:15,995oz / 22lb:00,74oz x 0,005oz / 0,01oz	4lb:13,6oz x 0,05oz	13lb:10,7oz x 0,05oz	26lb:7,3oz x 0,05oz	48lb:8,05oz x 0,05oz
Carato (ct)	21000 x 0,5	31000 x 0,5	50000,0 x 0,5	11000 x 5	31000 x 5	60000 x 5	110000 x 5
Grano (grn)	64820 x 2	95680 x 2	154320 x 2	33960,19 x 20	95680 x 20	185180 x 20	339520 x 20

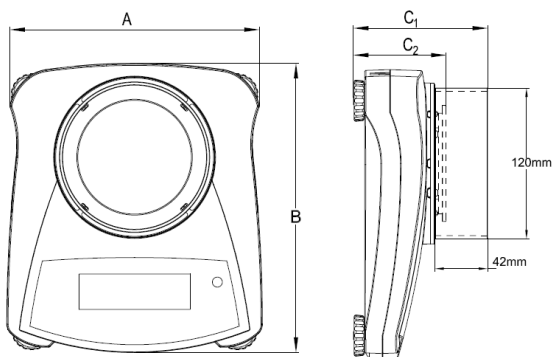
Modelli approvati

Modello	NVT1601M	NVT3200M	NVT6400M	NVT16000M
Capacità (g)	1600	3200	6400	16000
Leggibilità (g)	0,5	1	2	5
Intervallo di verifica e (g)	0,5	1	2	5
Massa di taratura dell'intervallo (non inclusa)	1 kg	2 kg	5 kg	10 kg
Massa di taratura della linearità	1 kg, 1,5 kg	2 kg, 3 kg	3 kg, 6 kg	10 kg, 15 kg
Classe di approvazione	III			
Tempo di stabilizzazione (s)	1 s			
Costruzione	Custodia ABS e piatto in acciaio inossidabile			
Taratura	Taratura di intervallo o linearità esterna selezionabile dall'utente o taratura di linearità/Digitale con peso esterno			
Intervallo tara	Piena capacità per sottrazione			
Unità di pesatura	g, kg, ct			
Modalità di applicazione	Pesatura, pesatura percentuale, conteggio pezzi, controllo peso			
Tastiera	4 tasti meccanici, più 1 sensore touchless			
Requisiti di potenza	Adattatore CA (incluso) o 4 batterie C (non incluse)			
Durata tipica della batteria	270 ore			
Intervallo di temperatura specificato	Da 0°C (32°F) a 40°C (104°F) con un'umidità relativa dal 10% al 85%, senza condensazione			
Condizioni di conservazione	Da -20°C (-4°F) a 55°C (131°F) con un'umidità relativa dal 10% al 90%, senza condensazione			
Comunicazione	RS232, USB o Ethernet (disponibile come accessorio)			
Tipo di display	Display a cristalli liquidi (LCD) con retroilluminazione			
Dimensione del display	Cifre da 20 mm			
Dimensione piatto (L x P)	230 x 174 mm			
Dimensioni della bilancia (L x P x A)	240 x 250 x 74 mm			
Dimensioni della spedizione (L x P x A)	385 x 335 x 170 mm			
Peso netto	1,5 kg			
Peso di spedizione	2,3 kg			

6.2 Schemi






	A	B	C
NV	204 mm / 8 pollici	230 mm / 9 pollici	70 mm / 2,8 pollici
NVT	240 mm / 9,5 pollici	250 mm / 9,8 pollici	74 mm / 2,9 pollici



	A	B	C1	C2
NV con protezione	204 mm/8 pollici	230 mm/9 pollici	107 mm/4,2 pollici	74 mm/2,9 pollici

6.3 Conformità

La conformità alle seguenti norme è indicata dal marchio corrispondente sul prodotto.

Marchio	Norma
	Questo prodotto è conforme alle Direttive UE 2011/65/UE (RoHS), 2014/30/UE (EMC), 2014/35/UE (LVD) e 2014/31/UE (NAWI). La dichiarazione di conformità UE è disponibile online all'indirizzo www.ohaus.com/ce .
	Questo prodotto è conforme alla direttiva UE 2012/19/UE (RAEE). Smaltire questo prodotto in conformità con le normative locali presso il punto di raccolta specificato per le apparecchiature elettriche ed elettroniche. Per le istruzioni sullo smaltimento in Europa, consultare www.ohaus.com/weee .
	EN 61326-1

Strumenti di pesatura verificati nell'UE

Quando lo strumento è utilizzato in commercio o in un'applicazione legalmente controllata, deve essere installato, verificato e sigillato in conformità con i pesi e le normative locali. È responsabilità dell'acquirente assicurarsi che tutti i requisiti legali pertinenti siano soddisfatti.

Gli strumenti di pesatura verificati sul luogo di produzione recano la seguente marcatura metrologica supplementare sulla targhetta descrittiva.

  1259

Gli strumenti di pesatura che devono essere verificati in due fasi non hanno contrassegni metrologici supplementari sulla targhetta descrittiva. La seconda fase della valutazione della conformità deve essere eseguita dalle autorità competenti in materia di pesi e misure.

Se le normative nazionali limitano il periodo di validità della verifica, l'utente dello strumento per pesare deve osservare rigorosamente il periodo di nuova verifica e informare le autorità per i pesi e le misure.

Poiché i requisiti di verifica variano in base alla giurisdizione, l'acquirente deve contattare l'ufficio pesi e misure locali se non ha familiarità con i requisiti.

Nota FCC

Questa apparecchiatura è stata testata e trovata conforme ai limiti per un dispositivo digitale di Classe B, in conformità alla Parte 15 delle Norme FCC. Questi limiti sono progettati per fornire una protezione ragionevole contro interferenze dannose in un ambiente commerciale. Questa apparecchiatura genera, utilizza e può irradiare energia in radiofrequenza e, se non installata e utilizzata in conformità con le istruzioni, può causare interferenze dannose alle comunicazioni radio. Tuttavia, non si garantisce che l'interferenza non si verifichi anche in installazioni particolari. In caso di interferenze dannose alla ricezione radio o televisiva, che possono essere determinate dall'accensione o spegnimento dell'apparecchiatura, l'utente è incoraggiato a provare a correggere l'interferenza. Con uno o più dei seguenti interventi:

- Ri-orientare o riposizionare l'antenna ricevente.
- Aumentare la distanza tra l'apparecchiatura e il ricevitore.

- Collegare l'apparecchiatura a una presa su un circuito diverso da quello a cui è collegato il ricevitore.
- Consultare il rivenditore o un tecnico radio / TV esperto per assistenza.

Cambiamenti o modifiche non espressamente approvate dalla parte responsabile della conformità potrebbero annullare l'autorizzazione dell'utente a utilizzare l'apparecchiatura.

Nota per l'industria canadese

Questo apparecchio digitale di Classe B è conforme all'ICES-003 canadese.

Registrazione ISO 9001

Il sistema di gestione che disciplina la produzione di questa apparecchiatura è certificato ISO 9001.

GARANZIA LIMITATA

I prodotti OHAUS sono garantiti contro difetti nei materiali e nella lavorazione dalla data di consegna fino alla durata del periodo di garanzia. Durante il periodo di garanzia, OHAUS riparerà o, a sua discrezione, sostituirà gratuitamente qualsiasi componente che risulti difettoso, a condizione che il prodotto venga restituito, franco carico prepagato, a OHAUS. La presente garanzia non si applica se il prodotto è stato danneggiato da un incidente o uso improprio, esposto a materiali radioattivi o corrosivi, ha materiale estraneo penetrato all'interno del prodotto, o come risultato di servizi o modifiche non effettuate da OHAUS. Al posto di una scheda di registrazione della garanzia correttamente restituita, il periodo di garanzia decorre dalla data di spedizione al rivenditore autorizzato. OHAUS Corporation non fornisce nessun' altra garanzia espressa o implicita. OHAUS Corporation non sarà responsabile per eventuali danni conseguenti.

Poiché la legislazione sulla garanzia varia da stato a stato e da paese a paese, contattare OHAUS o il proprio rivenditore OHAUS locale per ulteriori dettagli.

Registrazione del prodotto

Proteggi il tuo investimento. Registra il tuo prodotto con il rivenditore autorizzato locale OHAUS. Negli Stati Uniti e in Canada, registrare online su www.ohaus.com.



OHAUS Corporation
8 Campus Drive
Suite 105
Parsippany, NJ 07054 USA
Tel: +1 973 377 9000
Fax: +1 973 944 7177

With offices worldwide / Con oficinas alrededor del mundo / Avec des bureaux
dans le monde entier / Weltweite Geschäftsstellen / Con uffici in tutto il mondo.

www.ohaus.com



* 3 0 4 6 7 9 2 6 *

P/N 30467926 E © 2023 OHAUS Corporation, all rights reserved / todos los
derechos reservados / tous droits réservés / Alle Rechte vorbehalten / tutti i diritti
riservati.

Printed in China / Impreso en la China / Imprimé en Chine / Gedruckt in China /
Stampato in Cina